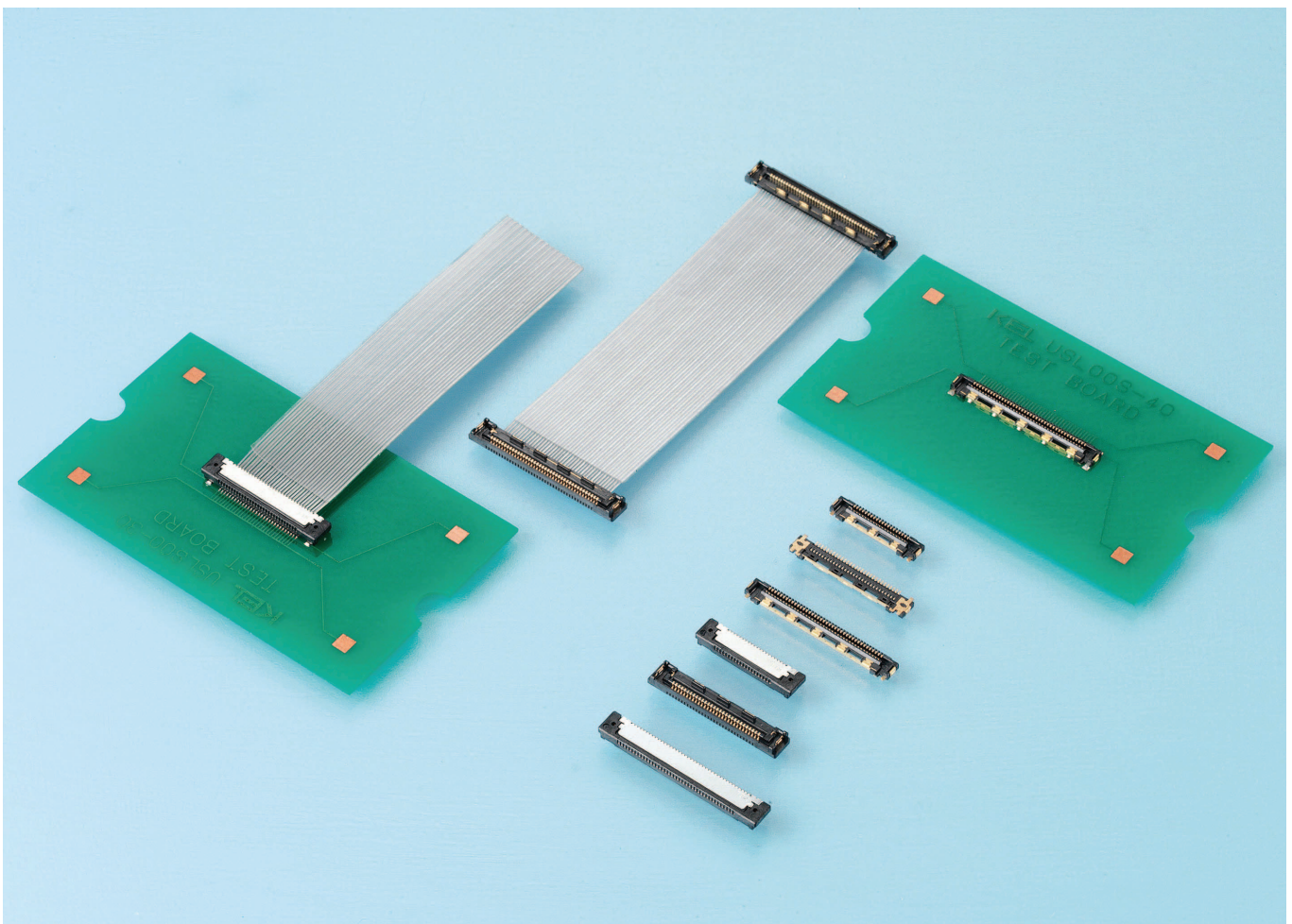
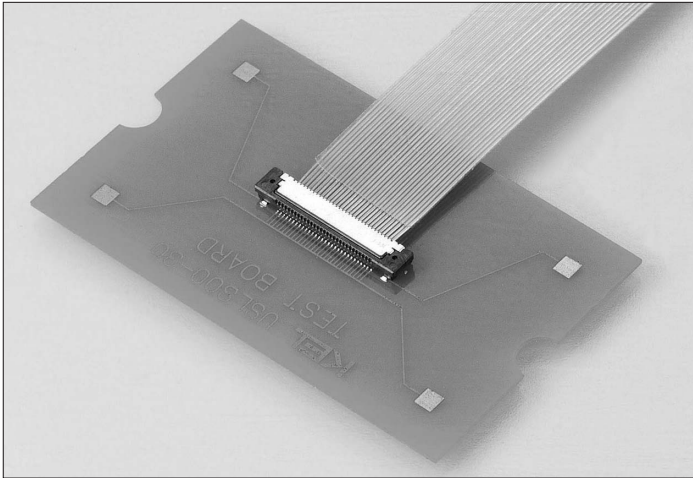


Ultra Fine Pitch (0.4mm), Ultra Low Profile (1.65mm)
IDC Connector for Micro Coaxial Cable (#42 AWG)
Stacking Type

USLS SERIES





FEATURES

- Ultra low profile 1.65mm(0.065") with 0.4mm pitch
- Mating dimension : 3.05mm(0.120")
- 3.05mm width for Plug (Cable side) allows inserting the cables through narrow hinge shafts
- Designed for micro coaxial cable (#42 AWG)
- Two sizes : 20 and 30 pins
- Coaxial cable and metal shell on connector provide excellent transmission and EMI protection
- Highly reliable design with effective contact displacement of 0.35mm
- IDC cable assembly (No solder connection)
- RoHS compliance

SPECIFICATIONS

- | | |
|---|---|
| <ul style="list-style-type: none"> ● Insulator material ● Contact material ● Contact plating ● Shell material ● Shell plating ● Cover material ● Current rating ● Contact resistance ● Dielectric withstanding voltage ● Insulation resistance ● Operating temperature | <ul style="list-style-type: none"> : Glass-filled LCP (UL94V-0), Black : Copper alloy : Gold over Nickel
Nickel Barrier (Board side) : Copper alloy : Gold over Nickel (Shell 1)
Tin copper over Nickel (Shell 2) : Glass-filled LCP (UL94V-0), Black : 0.25A per contact : 100mΩ max.
(Except for the cable resistance) : 200V AC for 1 minute : 100M Ω min. at 250V DC : -40°C to + 85°C |
|---|---|

ORDER CODE

USLS 00 - -

- Series name
USL : 0.4mm pitch IDC Connector for Micro Coaxial Cable (#42 AWG) Stacking Type
- Type
00 : Receptacle (PCB side connector : SMT)

- Number of contacts
20 : 20 pin
30 : 30 pin
- Number of packaging
A : 500pcs. per reel
B : 1000pcs. per reel
C : 3000pcs. per reel

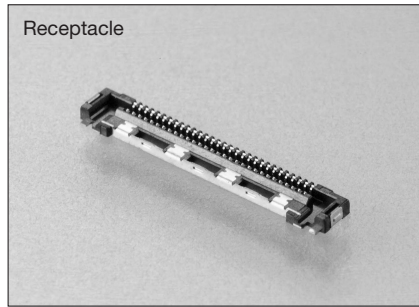
ORDER CODE

USLS 20 - -

- Series name
USL : 0.4mm pitch IDC Connector for Micro Coaxial Cable (#42 AWG) Stacking Type
- Type
20 : Plug (Cable side connector : IDC)

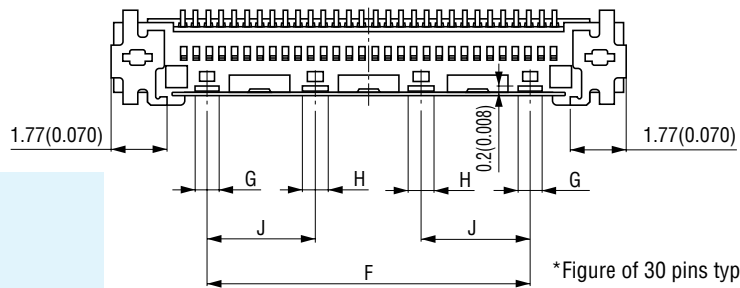
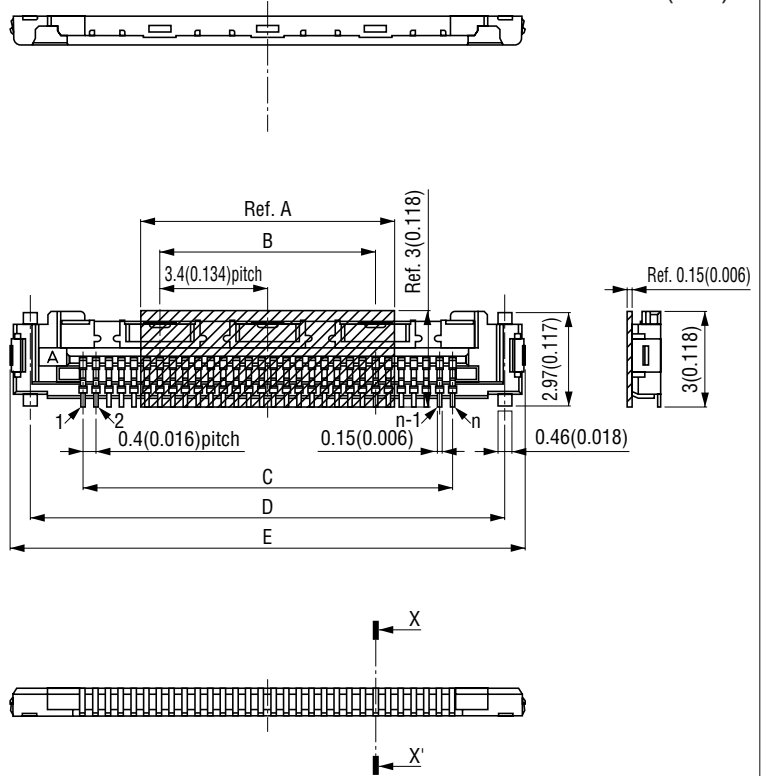
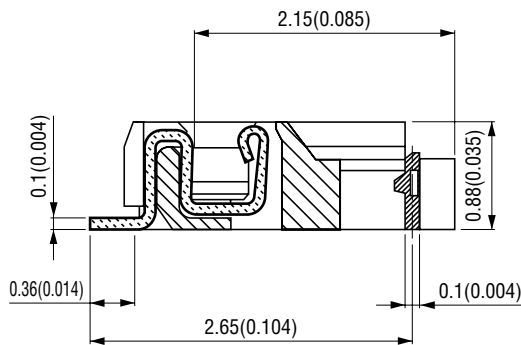
- Number of contacts
20 : 20 pin
30 : 30 pin

USLS00-□□-□(Receptacle, Straight)



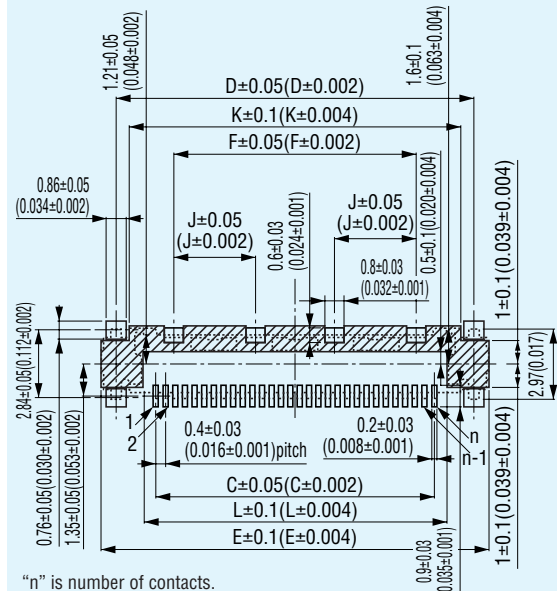
Unit:mm(inch)

X-X' Cross Section



*Figure of 30 pins type is used.

Printed Circuit Board Layout (Component Side View)



"n" is number of contacts.

Packaging style
Embossed tape

Product Table

Part Number	Number of packaging
USLS00-□□-A	500
USLS00-□□-B	1,000
USLS00-□□-C	3,000

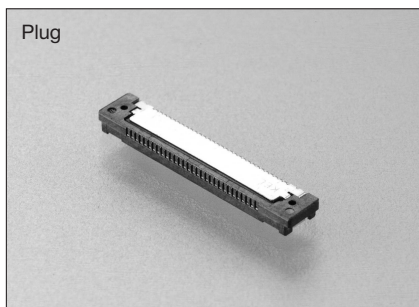
Product Table / Dimensions

No. of contacts	Part Number	A	B	C	D	E	F
20	USLS00-20-□	5.0 (0.197)	3.1 (0.122)	7.6 (0.299)	10.91 (0.430)	12.14 (0.478)	6.2 (0.244)
30	USLS00-30-□	8.0 (0.315)	6.8 (0.268)	11.6 (0.457)	14.91 (0.587)	16.14 (0.635)	10.1 (0.398)

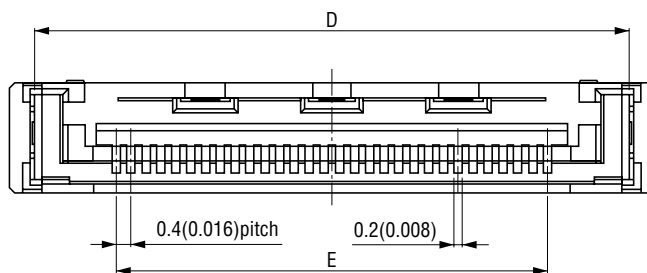
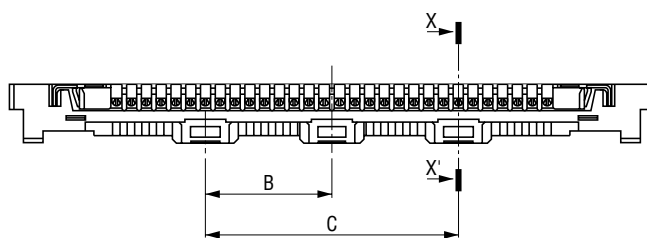
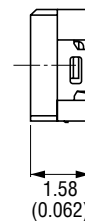
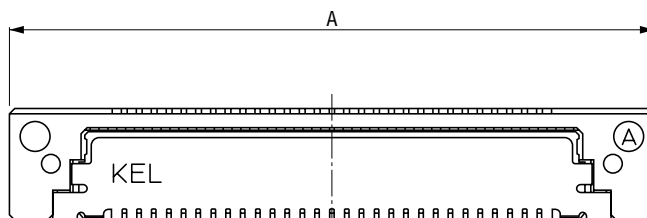
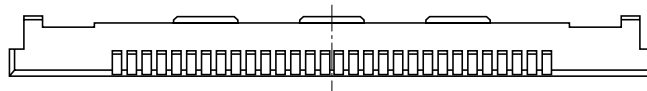
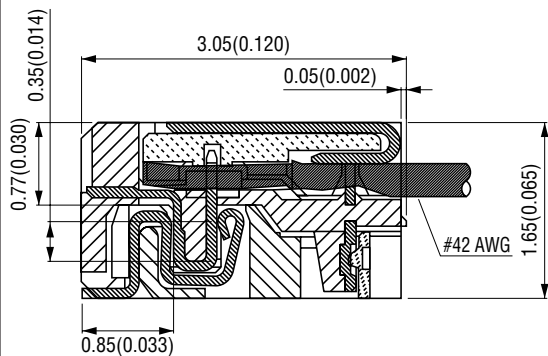
No. of contacts	Part Number	G	H	J	K	L
20	USLS00-20-□	0.60 (0.024)	0.6 (0.024)	3.1 (0.122)	9.8 (0.386)	8.6 (0.339)
30	USLS00-30-□	0.75 (0.030)	0.8 (0.031)	3.4 (0.134)	13.8 (0.543)	12.6 (0.496)

USLS20-□□ (Plug, IDC)

Plug



Unit:mm(inch)

X-X' Mated Cross Section


*Figure of 30 pins type is used.

Packaging style
Tray

Product Table / Dimensions

No. of contacts	Part Number	A	B	C	D	E	Number of packaging
20	USLS20-20	13.4 (0.528)	3.1 (0.122)	-	12.0 (0.472)	7.6 (0.299)	160
30	USLS20-30	17.4 (0.685)	3.4 (0.134)	6.8 (0.268)	16.0 (0.630)	11.6 (0.457)	120

*Specifications and dimensions are subject to change without notice.

● ORDER CODE

USLS 20- - . - ()

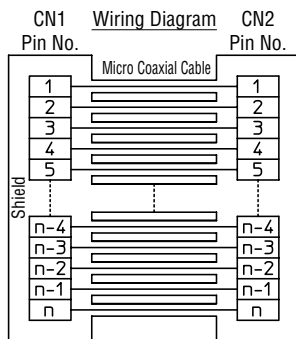
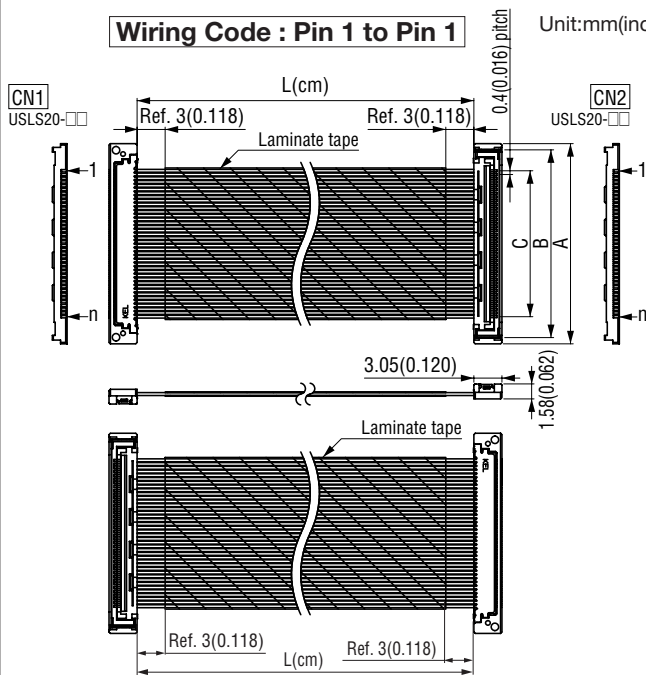
- Series name
USLS : 0.4mm pitch IDC connector for micro coaxial cable (#42 AWG) stacking type
- Type
20 : Plug (Cable side connector)
- Number of contacts
20 : 20 pin
30 : 30 pin
- Cable length (cm)
L dimension
(Example : 013.5=13.5cm)
- Wiring code
B : Pin 1 to Pin 1
C : Pin 1 to Pin n
- Laminated tape
Omit : Without tape
H : With tape
- Quantity
(A) : 1 to 9pcs
(B) : 10 to 49pcs
(C) : 50 to 99pcs
(D) : 100pcs or more

*Applicable cable length : 4 to 100cm
Minimum cable length for USLS20-□□-□□□□-BH(□) : 7cm

CABLE ASSEMBLY STYLE

Wiring Code : Pin 1 to Pin 1

Unit:mm(inch)

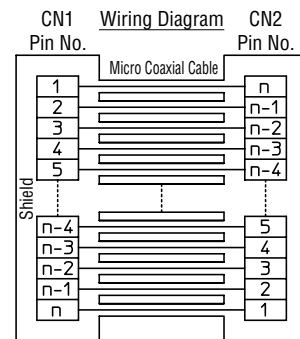
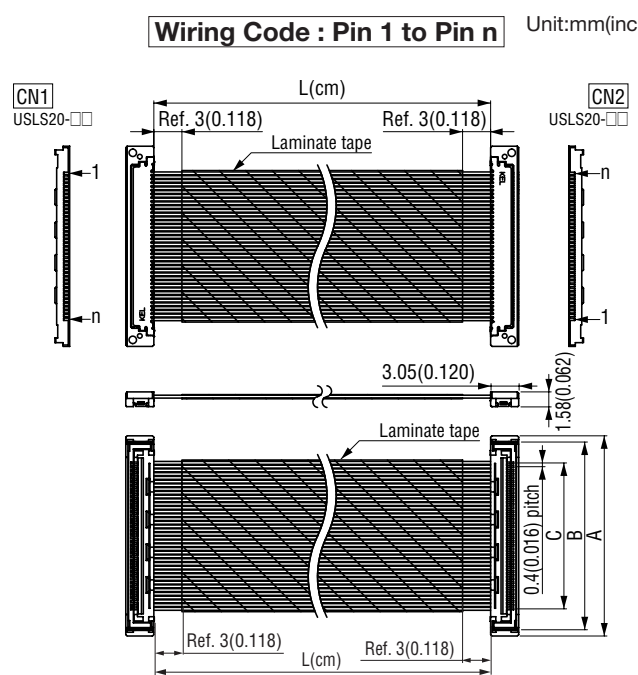


■ Product Table / Dimensions

No. of contacts	Part Number	A	B	C
20	USLS20-20-□□□□-B□(□)	13.4 (0.528)	12.0 (0.472)	7.6 (0.299)
30	USLS20-30-□□□□-B□(□)	17.4 (0.685)	16.0 (0.630)	11.6 (0.457)

Wiring Code : Pin 1 to Pin n

Unit:mm(inch)

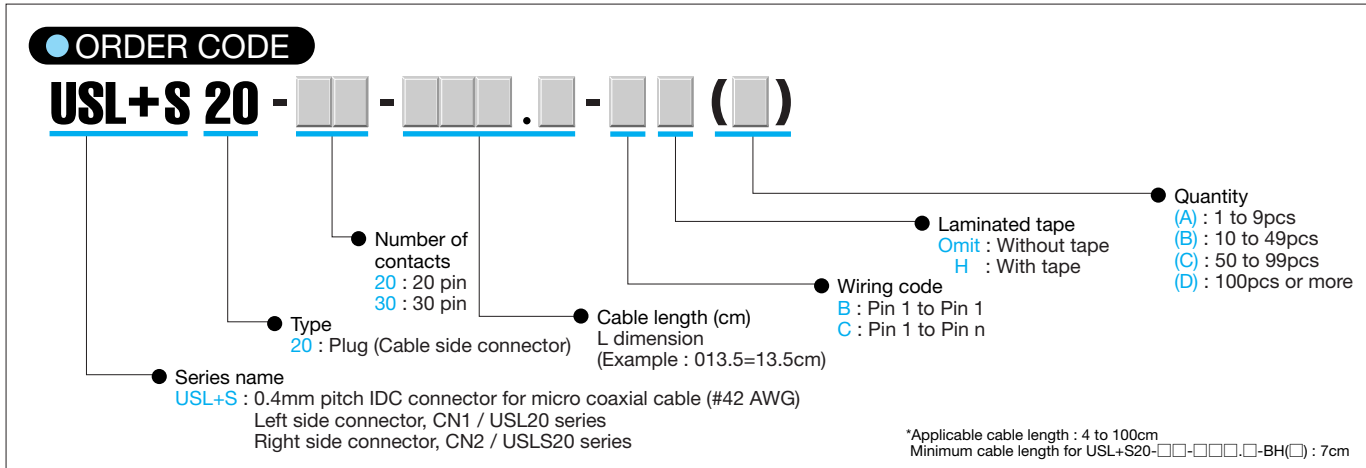


■ Product Table / Dimensions

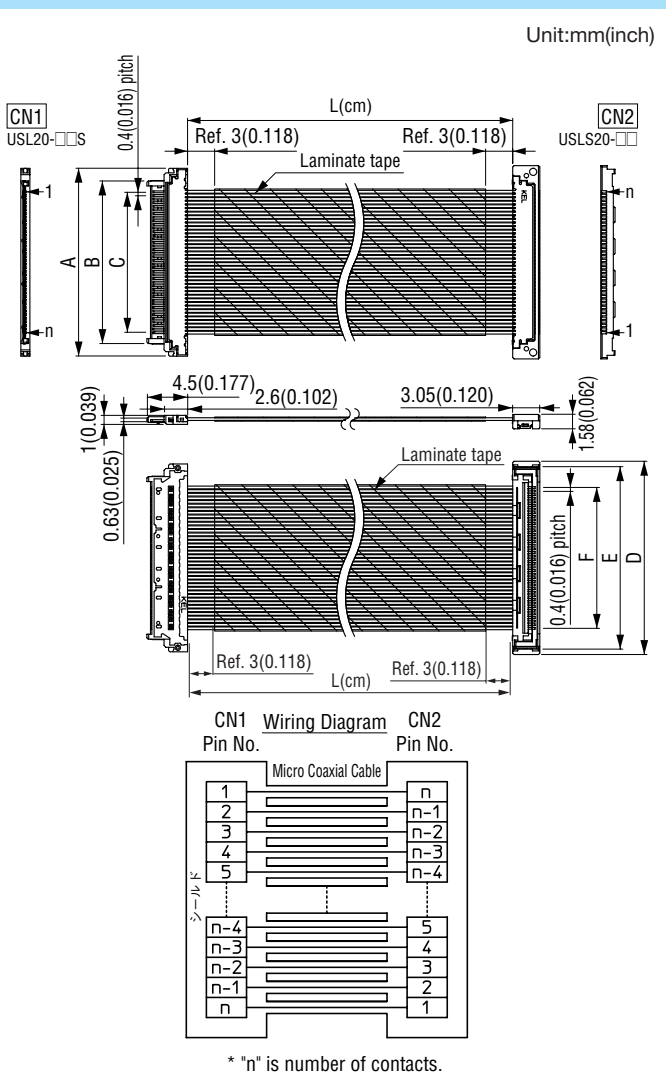
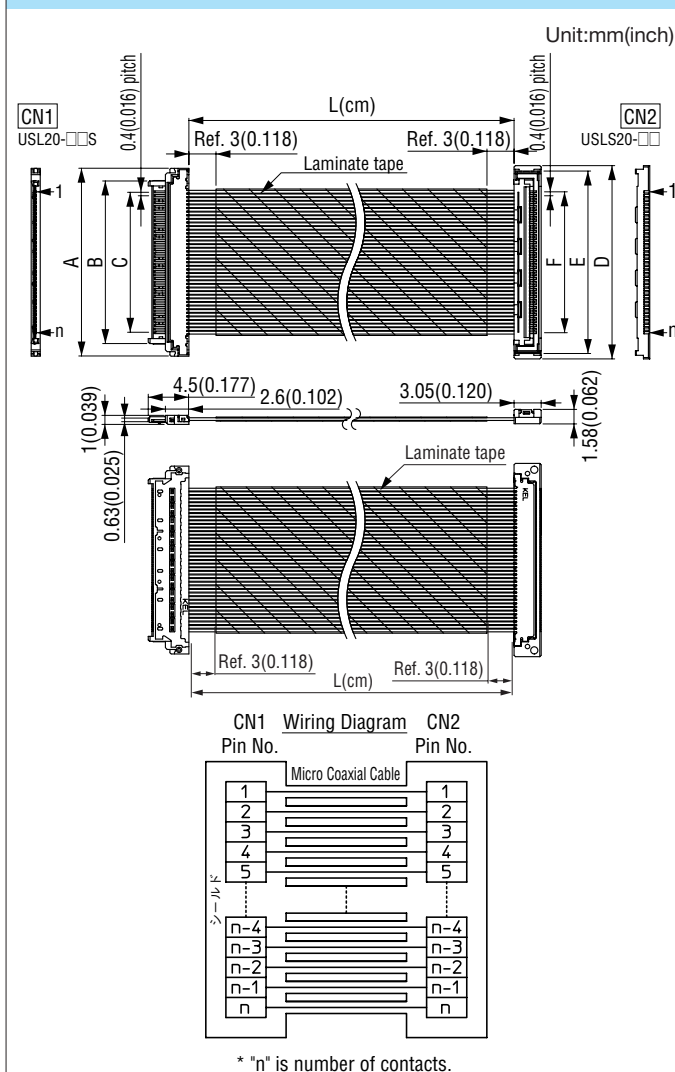
No. of contacts	Part Number	A	B	C
20	USLS20-20-□□□□-C□(□)	13.4 (0.528)	12.0 (0.472)	7.6 (0.299)
30	USLS20-30-□□□□-C□(□)	17.4 (0.685)	16.0 (0.630)	11.6 (0.457)

*Please contact your local sales office for inquiries regarding cable length and tolerance.

*Laminated tape is designed to be a little wider than the cable width. Please contact your local sales office for further details.



CABLE ASSEMBLY STYLE



Product Table / Dimensions

No. of contacts	Part Number	A	B	C	D	E	F
20	USL+S20-20-□□□□□-B□(□)	12.8 (0.504)	10.1 (0.398)	7.6 (0.299)	13.4 (0.528)	12.0 (0.472)	7.6 (0.299)
30	USL+S20-30-□□□□□-B□(□)	16.8 (0.661)	14.1 (0.555)	11.6 (0.457)	17.4 (0.685)	16.0 (0.630)	11.6 (0.457)

Product Table / Dimensions

No. of contacts	Part Number	A	B	C	D	E	F
20	USL+S20-20-□□□□□-C□(□)	12.8 (0.504)	10.1 (0.398)	7.6 (0.299)	13.4 (0.528)	12.0 (0.472)	7.6 (0.299)
30	USL+S20-30-□□□□□-C□(□)	16.8 (0.661)	14.1 (0.555)	11.6 (0.457)	17.4 (0.685)	16.0 (0.630)	11.6 (0.457)

*Please contact your local sales office for inquiries regarding cable length and tolerance.
*Laminated tape is designed to be a little wider than the cable width. Please contact your local sales office for further details.