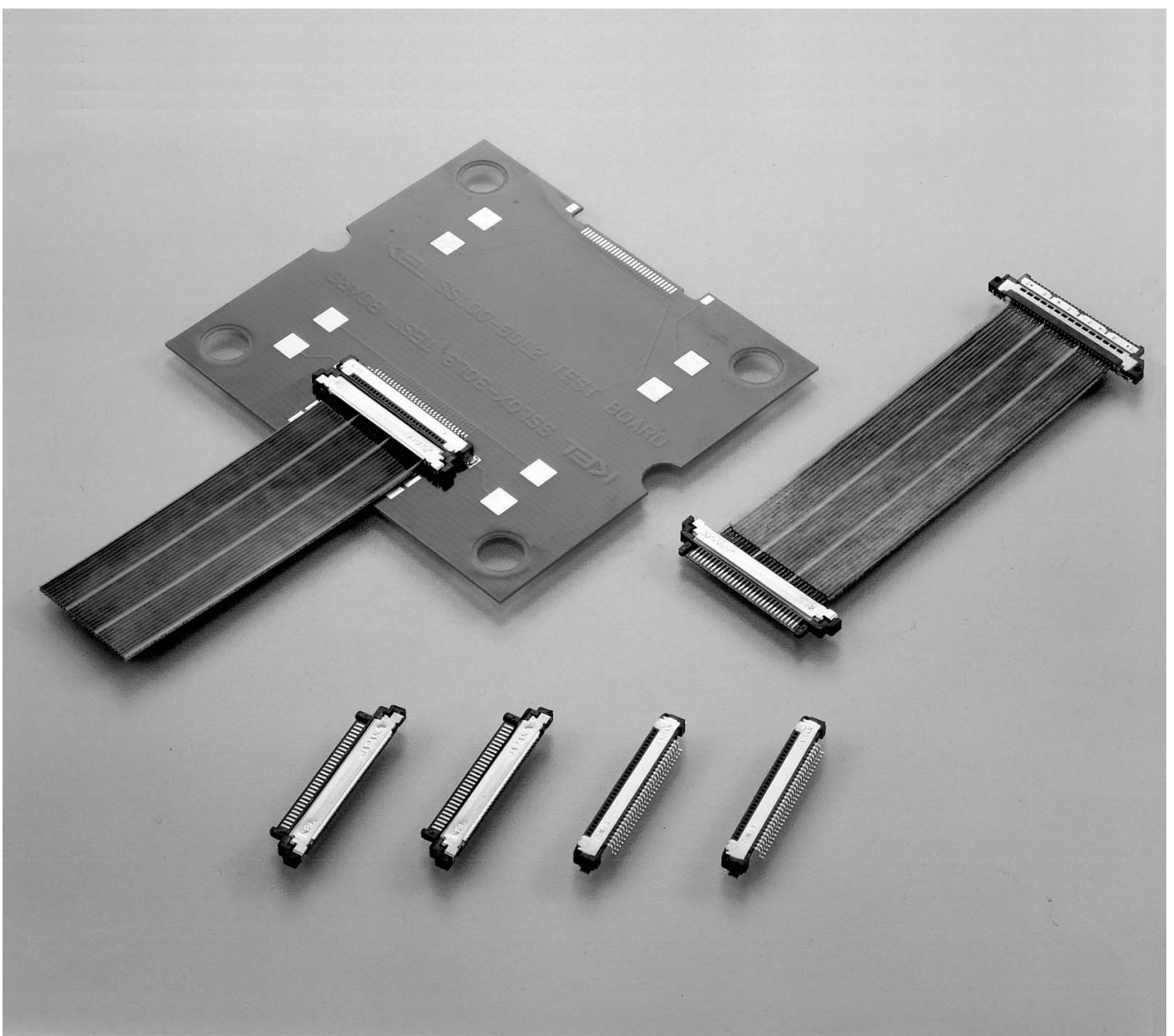
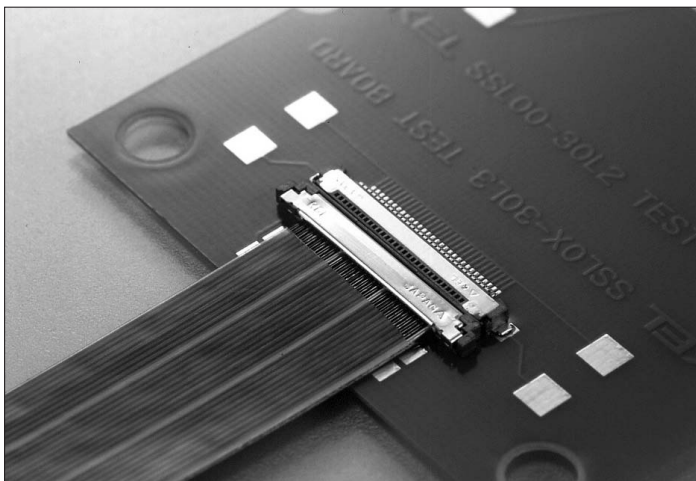


**Most Effective Solution for High-Speed Portable Applications**  
**0.5mm Pitch 2 Piece Connector for Micro Coaxial Cable**  
**(Ultra Small Solderless IDC Type)**

# SSL SERIES





## FEATURES

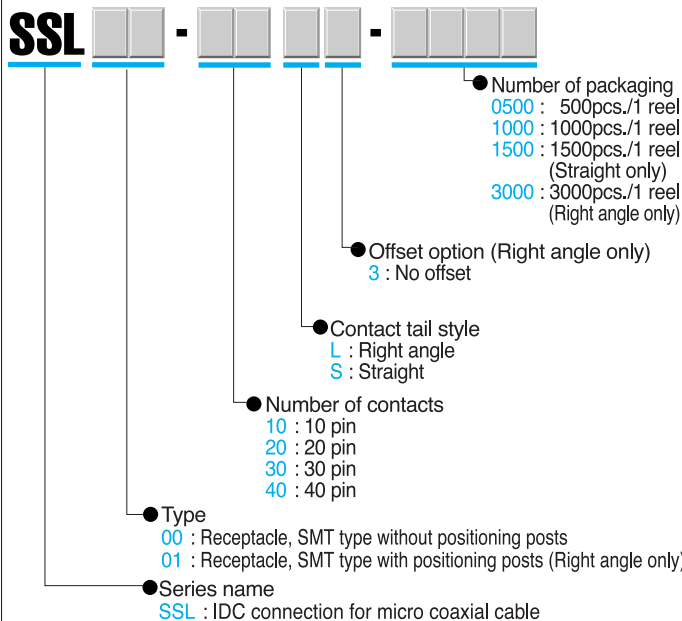
- Ultra low profile with 1.4mm(0.055") height
- 0.5mm pitch 2 piece connector
- Ultimate small design (More than 40% reduced compared to our SL Series)
- Coaxial cable and metal shell on connector provide excellent transmission and EMI protection
- Allows high speed multi-line transmission through narrow tubes and/or hinges
- IDC cable assembly (No solder connection)
- No need for special extracting tools
- RoHS compliance

## SPECIFICATIONS

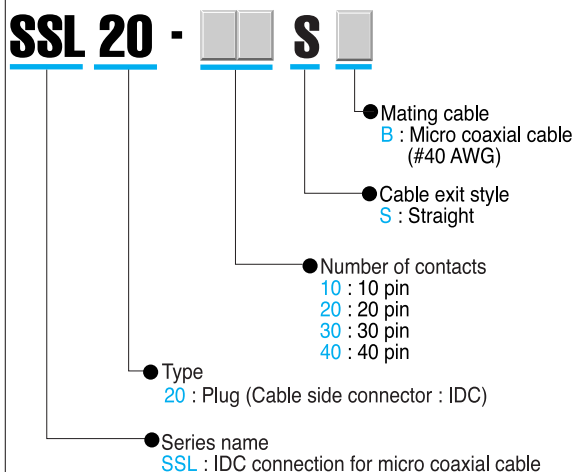
- Insulator material : Glass-filled LCP (UL 94V-0), Black
- Contact material : Copper alloy
- Contact plating : Gold over Nickel
- Shell material : Copper alloy
- Shell plating : Tin copper over Nickel
- Current rating : 0.3A per contact
- Contact resistance : 100mΩ max.
- Dielectric withstanding voltage : 200V AC for 1 minute
- Insulator resistance : 100MΩ min. at 250V DC
- Operating temperature : -40°C to +85°C

\*Please contact your local sales office for order less than 500 pcs

### ORDER CODE



### ORDER CODE

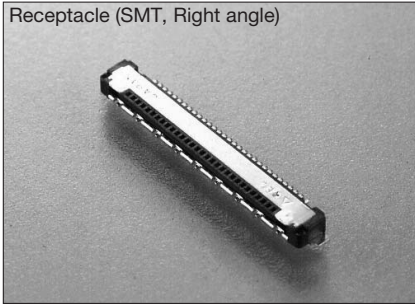


## APPLICATIONS

PDA, Cellular phone, PDP, Digital camera, Digital video camera, Note PC, Car navigation, Portable DVD player, Digital TV, Optical printer, Robot, Game machine, Medical equipment, etc.

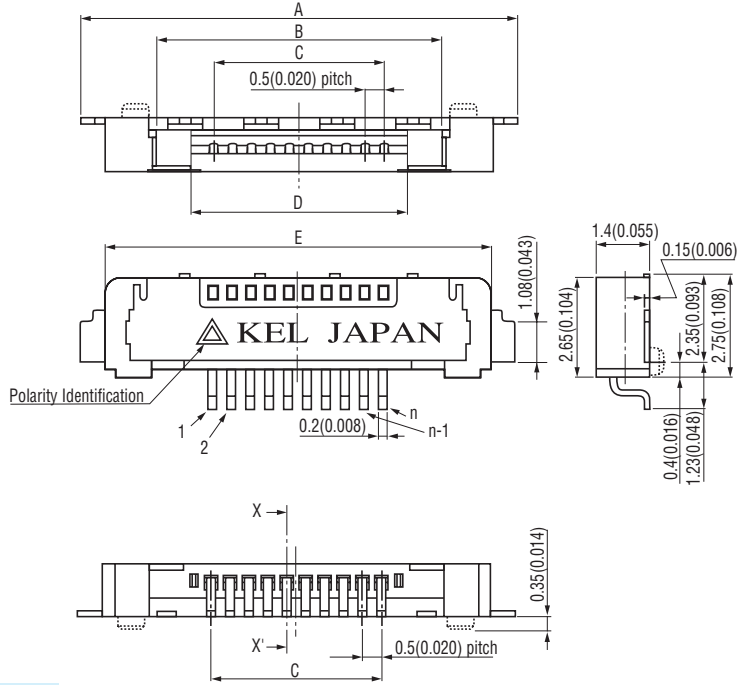
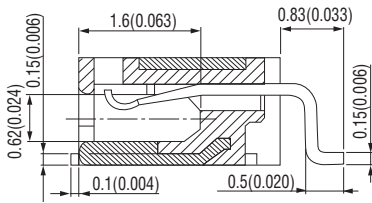
# SSL0□-□□L3-□□□□ (Receptacle for No offset, Right angle)

Receptacle (SMT, Right angle)

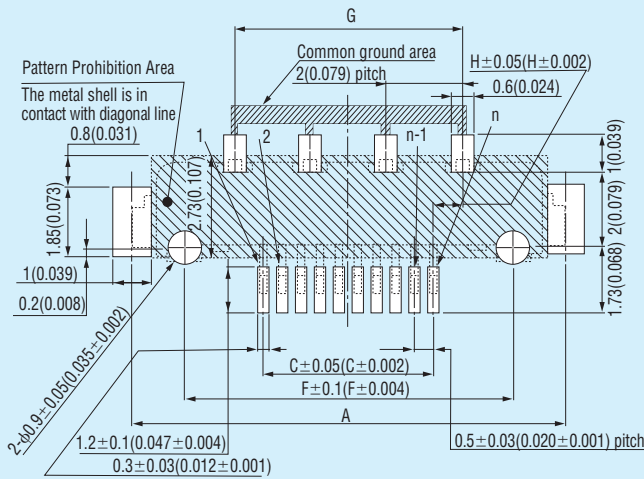


Unit:mm(inch)

X-X' Cross Section



Recommended Board Layout (Components Side View)



\*"n" is number of contacts.

■ Ground Installation

No. of contacts	No. of ground
10	4
20	6
30	9
40	11

■ Product Table

Part Number	Number of packaging
SSL0□-□□L3-0500	500
SSL0□-□□L3-1000	1,000
SSL0□-□□L3-3000	3,000

Packaging style  
Embossed tape

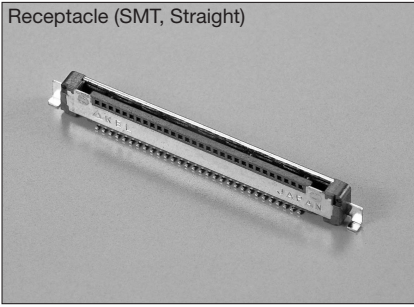
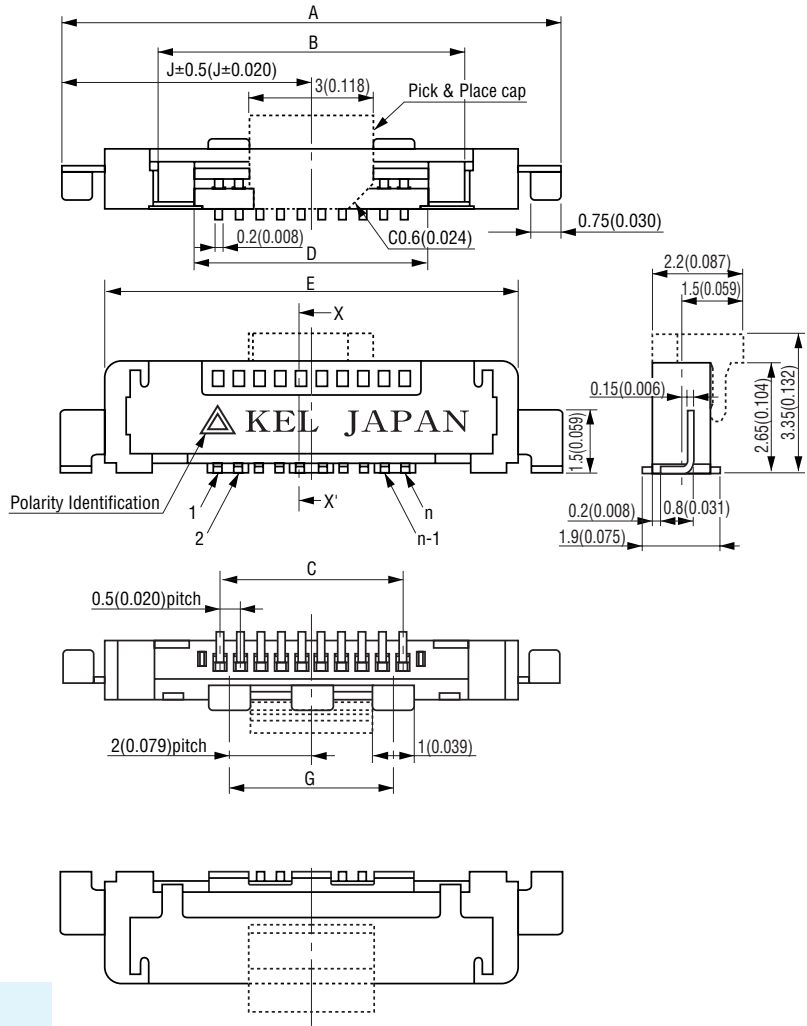
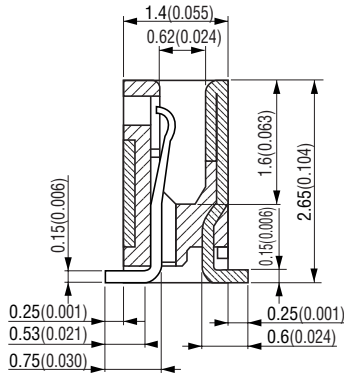
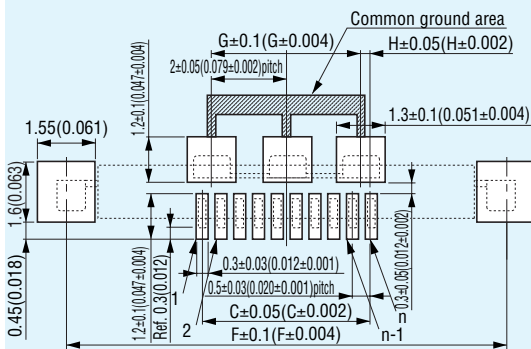
■ Product Table / Dimensions

No. of contacts	Part Number	A	B	C	D	E	F	G	H
10	SSL0□-10L3-□□□□	11.4 (0.449)	7.5 (0.295)	4.5 (0.177)	5.7 (0.224)	10.1 (0.398)	8.6 (0.339)	6.0 (0.236)	0.75 (0.030)
20	SSL0□-20L3-□□□□	16.4 (0.646)	12.5 (0.492)	9.5 (0.374)	10.7 (0.421)	15.1 (0.594)	13.6 (0.535)	10.0 (0.394)	0.25 (0.010)
30	SSL0□-30L3-□□□□	21.4 (0.843)	17.5 (0.689)	14.5 (0.571)	15.7 (0.618)	20.1 (0.791)	18.6 (0.732)	16.0 (0.630)	0.75 (0.030)
40	SSL0□-40L3-□□□□	26.4 (1.039)	22.5 (0.886)	19.5 (0.768)	20.7 (0.815)	25.1 (0.988)	23.6 (0.929)	20.0 (0.787)	0.25 (0.010)

**SSL00-□□S-□□□□(Receptacle, Straight)**

Unit:mm(inch)

Receptacle (SMT, Straight)


**X-X' Cross Section**

**Recommended Board Layout (Components Side View)**


"n" is number of contacts.

**Ground Installation**

No. of contacts	No. of Ground
10	3
20	5
30	8
40	10

**Product Table**

Part Number	Number of packaging
SSL00-□□S-0500	500
SSL00-□□S-1000	1,000
SSL00-□□S-1500	1,500

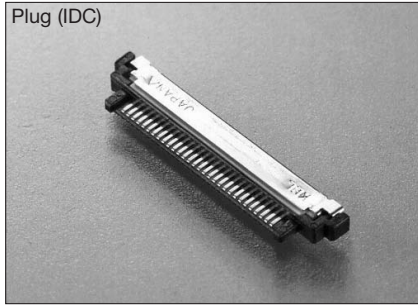
**Product Table / Dimensions**

No. of contacts	Part Number	A	B	C	D	E	F	G	H	J
10	SSL00-10S-□□□□	12.2 (0.480)	7.5 (0.295)	4.5 (0.177)	5.7 (0.224)	10.1 (0.398)	11.75 (0.463)	4.0 (0.157)	0.25 (0.010)	6.1 (0.240)
20	SSL00-20S-□□□□	17.2 (0.677)	12.5 (0.492)	9.5 (0.374)	10.7 (0.421)	15.1 (0.594)	16.75 (0.659)	8.0 (0.315)	0.75 (0.030)	8.6 (0.339)
30	SSL00-30S-□□□□	22.2 (0.874)	17.5 (0.689)	14.5 (0.571)	15.7 (0.618)	20.1 (0.791)	21.75 (0.856)	14.0 (0.551)	0.25 (0.010)	11.1 (0.437)
40	SSL00-40S-□□□□	27.2 (1.071)	22.5 (0.886)	19.5 (0.768)	20.7 (0.815)	25.1 (0.988)	26.75 (1.053)	18.0 (0.709)	0.75 (0.030)	13.6 (0.535)

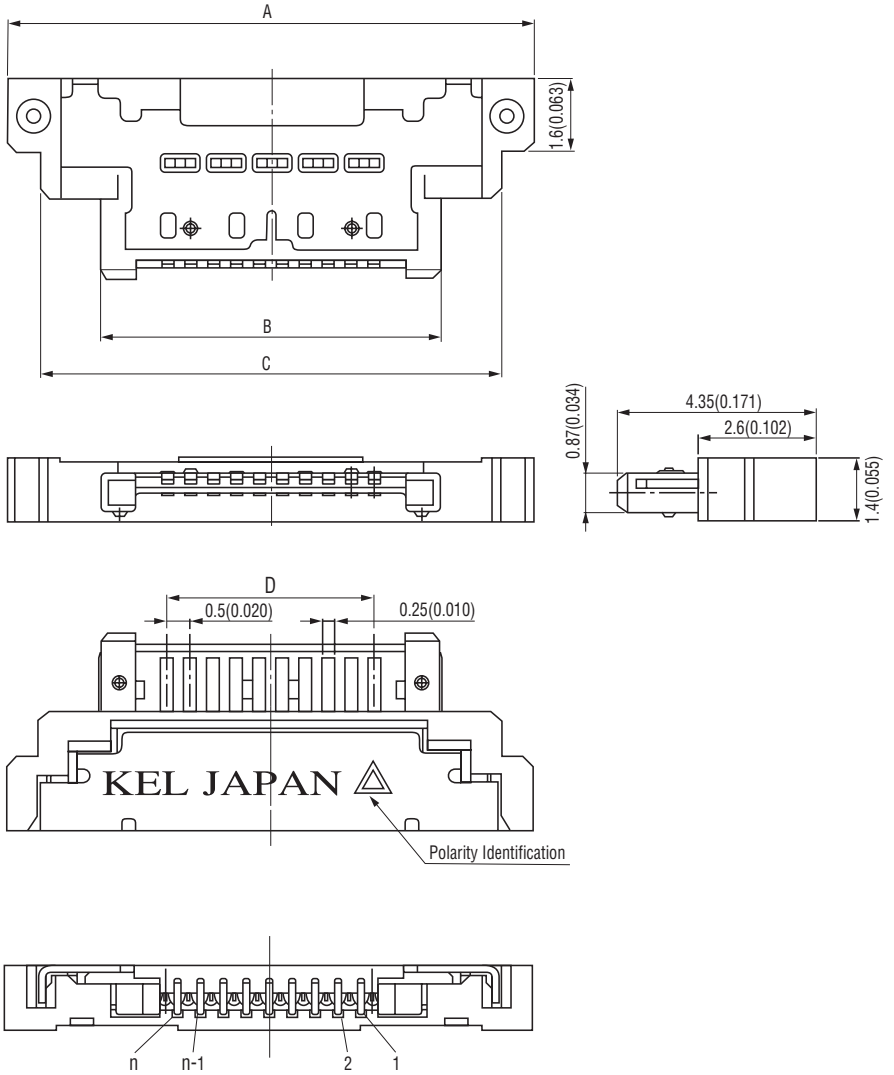
 Packaging style  
 Embossed tape

SSL20-□□S□ (Plug, IDC)

Plug (IDC)



Unit:mm(inch)



"n" is number of contacts

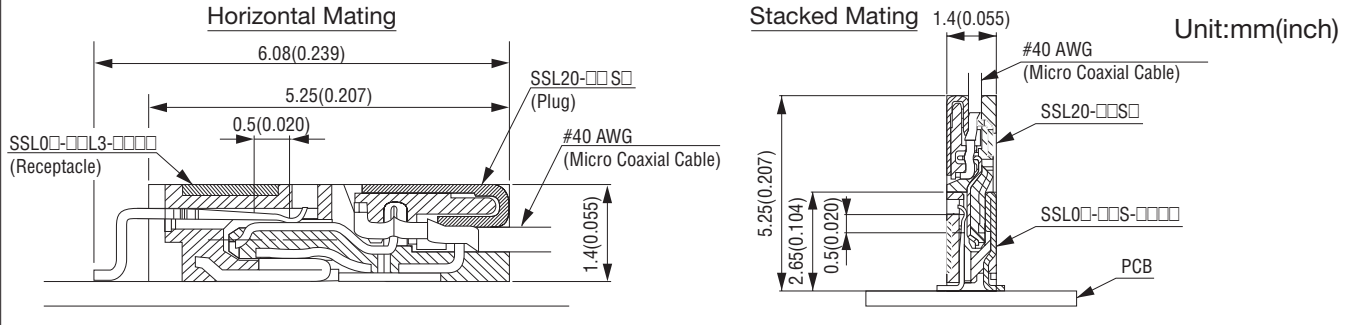
Packaging style
Tray

■ Product Table / Dimensions

No. of contacts	Part Number	A	B	C	D	Number of packaging
10	SSL20-10S□	11.5 (0.453)	7.5 (0.295)	10.1 (0.398)	4.5 (0.177)	160
20	SSL20-20S□	16.5 (0.650)	12.5 (0.492)	15.1 (0.594)	9.5 (0.374)	120
30	SSL20-30S□	21.5 (0.846)	17.5 (0.689)	20.1 (0.791)	14.5 (0.571)	100
40	SSL20-40S□	26.5 (1.043)	22.5 (0.886)	25.1 (0.988)	19.5 (0.768)	80

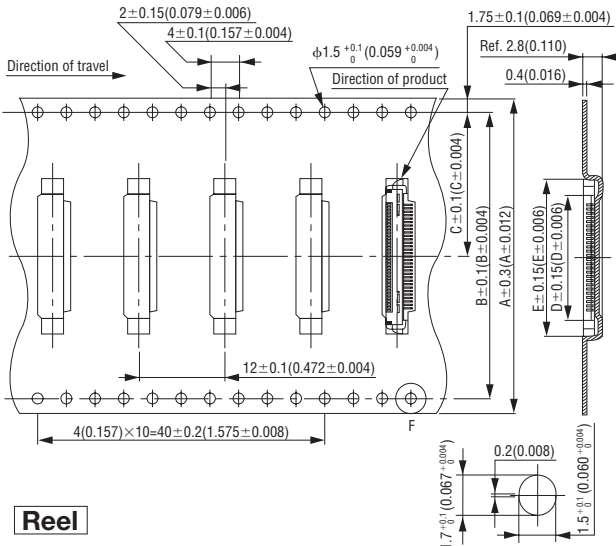


### Mating Cross-Section Drawing

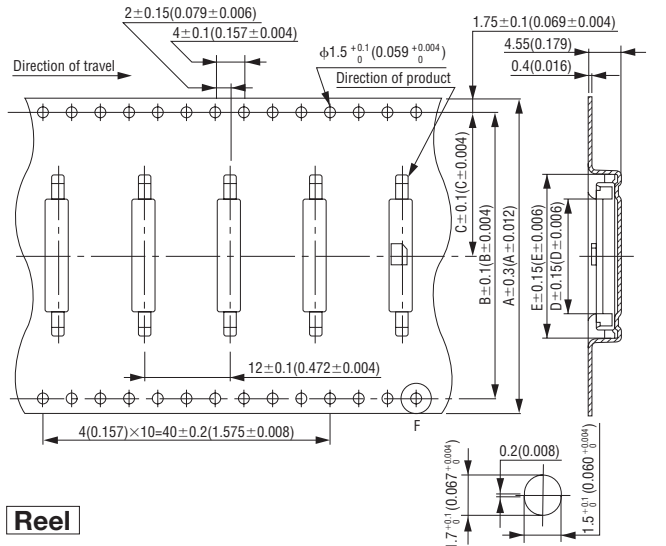


### Packaging Specification

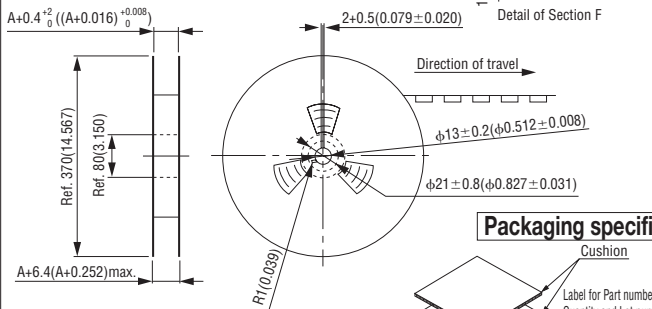
#### Carrier tape SSL0-□□L3-□□□□



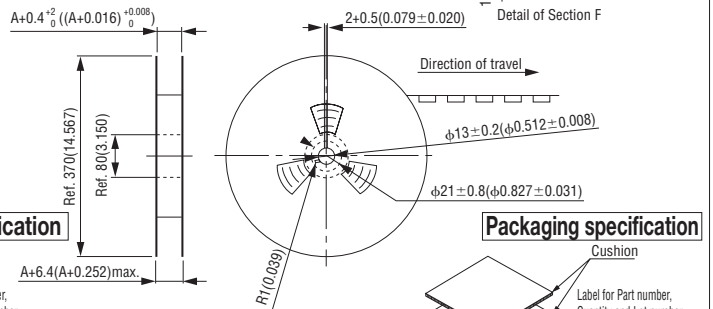
#### Carrier tape SSL0-□□S-□□□□



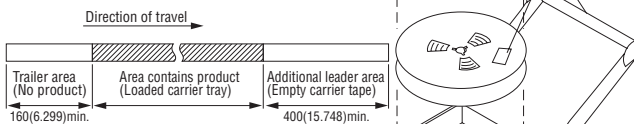
#### Reel



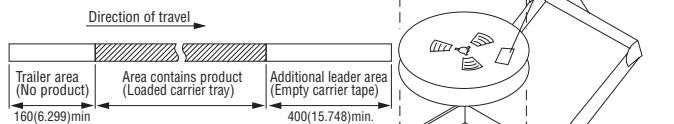
#### Reel



#### Lead tape length



#### Lead tape length



#### Exfoliation strength(Top cover tape)

Conforms to JIS C0806-3 standard

#### Exfoliation strength(Top cover tape)

Conforms to JIS C0806-3 standard

#### Product Table / Dimensions

No. of contacts	Part Number	A	B	C	D	E	Number of packaging
10	SSL0-10L3-□□□□	32.0 (1.260)	28.4 (1.118)	14.2 (0.559)	7.3 (0.287)	11.7 (0.461)	A-17
20	SSL0-20L3-□□□□	32.0 (1.260)	28.4 (1.118)	14.2 (0.559)	12.3 (0.484)	16.7 (0.657)	
30	SSL0-30L3-□□□□	44.0 (1.732)	40.4 (1.591)	20.2 (0.795)	17.3 (0.681)	21.7 (0.854)	
40	SSL0-40L3-□□□□	44.0 (1.732)	40.4 (1.591)	20.2 (0.795)	22.3 (0.878)	26.7 (1.051)	

#### Product Table / Dimensions

No. of contacts	Part Number	A	B	C	D	E	Number of packaging
10	SSL0-10S-□□□□	32.0 (1.260)	28.4 (1.118)	14.2 (0.559)	5.6 (0.220)	12.5 (0.492)	A-18
20	SSL0-20S-□□□□	32.0 (1.260)	28.4 (1.118)	14.2 (0.559)	10.6 (0.417)	17.5 (0.689)	
30	SSL0-30S-□□□□	44.0 (1.732)	40.4 (1.591)	20.2 (0.795)	15.6 (0.614)	22.5 (0.886)	
40	SSL0-40S-□□□□	44.0 (1.732)	40.4 (1.591)	20.2 (0.795)	20.6 (0.811)	27.5 (1.083)	

● ORDER CODE

**SSL 20-**   **SSB-**      **.**   **-**   **(**  **)**

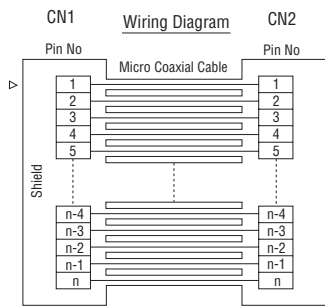
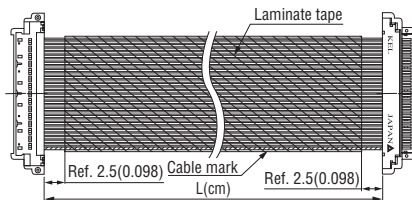
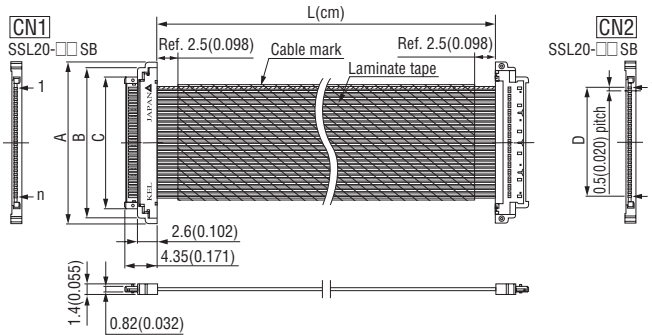
- Series name  
SSL : 0.5mm pitch IDC connector for micro coaxial cable (#40 AWG)
- Type  
20 : Plug (Cable side connector)
- Number of contacts  
10 : 10 pin 30 : 30 pin  
20 : 20 pin 40 : 40 pin
- Cable type  
B : #40 AWG micro coaxial cable
- Cable length (cm)  
L dimension  
(Example : 013,5=13,5cm)
- Connector style (Left side, CN1)  
S : Straight
- Connector style (Right side, CN2)  
S : Straight
- Wiring code  
B : Pin 1 to Pin 1  
C : Pin 1 to Pin n
- Laminated tape  
Omit : Without tape  
H : With tape
- Quantity  
(A) : 1 to 9pcs  
(B) : 10 to 49pcs  
(C) : 50 to 99pcs  
(D) : 100pcs or more

\*Applicable cable length : 5 to 100cm  
Minimum cable length for SSL20-SSB--BH(): 7cm

**CABLE ASSEMBLY STYLE**

Wiring Code : Pin 1 to Pin 1

Unit:mm(inch)



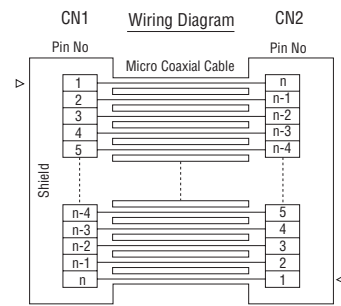
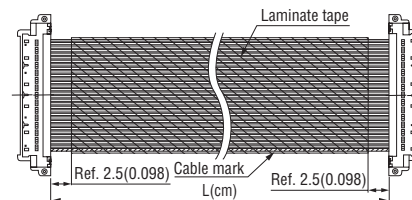
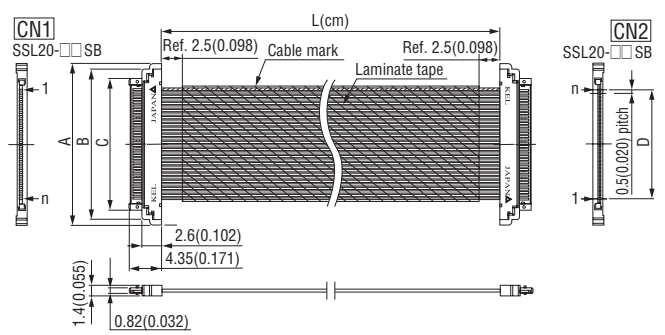
\* "n" is number of contacts.  
▽=Polarity identification

■ Product Table / Dimensions

No. of contacts	Part Number	A	B	C	D
10	SSL20-10SSB- <input type="checkbox"/> <input type="checkbox"/> -B□( <input type="checkbox"/> )	11.5 (0.453)	10.1 (0.398)	7.5 (0.295)	4.5 (0.177)
20	SSL20-20SSB- <input type="checkbox"/> <input type="checkbox"/> -B□( <input type="checkbox"/> )	16.5 (0.650)	15.1 (0.594)	12.5 (0.492)	9.5 (0.374)
30	SSL20-30SSB- <input type="checkbox"/> <input type="checkbox"/> -B□( <input type="checkbox"/> )	21.5 (0.846)	20.1 (0.791)	17.5 (0.689)	14.5 (0.571)
40	SSL20-40SSB- <input type="checkbox"/> <input type="checkbox"/> -B□( <input type="checkbox"/> )	26.5 (1.043)	25.1 (0.988)	22.5 (0.886)	19.5 (0.768)

Wiring Code : Pin 1 to Pin n

Unit:mm(inch)



\* "n" is number of contacts.  
▽=Polarity identification

■ Product Table / Dimensions

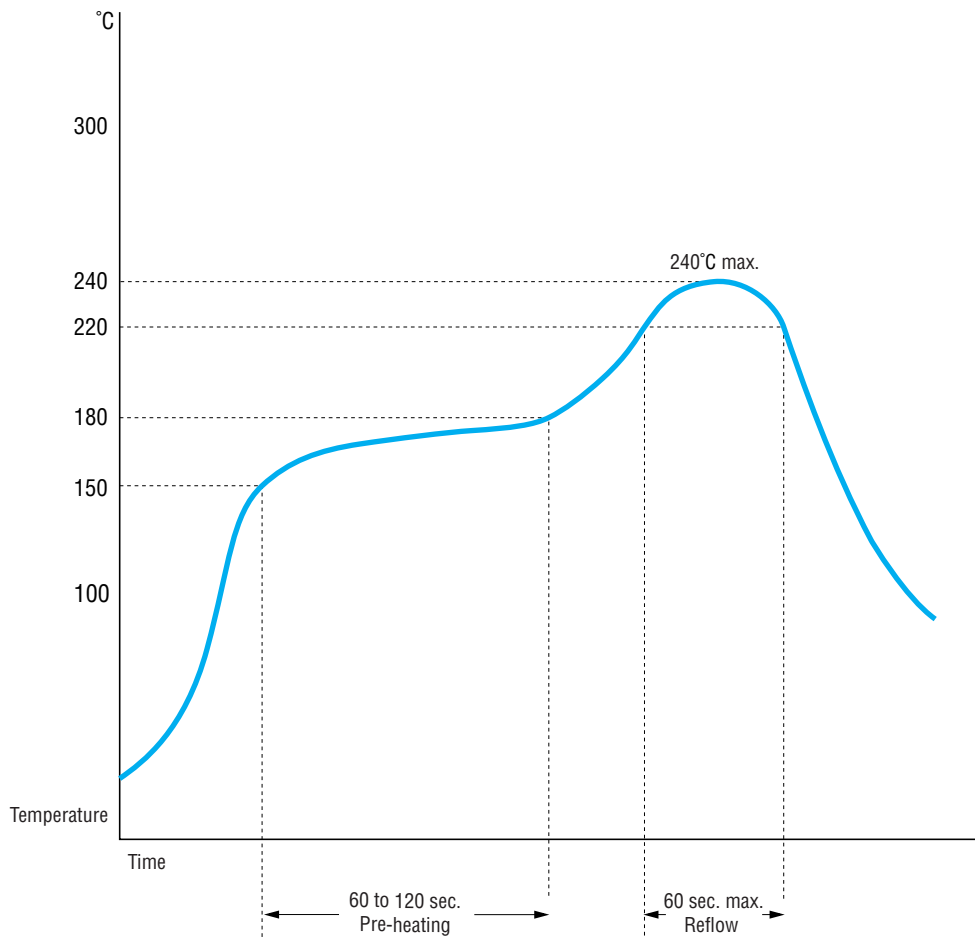
No. of contacts	Part Number	A	B	C	D
10	SSL20-10SSB- <input type="checkbox"/> <input type="checkbox"/> -C□( <input type="checkbox"/> )	11.5 (0.453)	10.1 (0.398)	7.5 (0.295)	4.5 (0.177)
20	SSL20-20SSB- <input type="checkbox"/> <input type="checkbox"/> -C□( <input type="checkbox"/> )	16.5 (0.650)	15.1 (0.594)	12.5 (0.492)	9.5 (0.374)
30	SSL20-30SSB- <input type="checkbox"/> <input type="checkbox"/> -C□( <input type="checkbox"/> )	21.5 (0.846)	20.1 (0.791)	17.5 (0.689)	14.5 (0.571)
40	SSL20-40SSB- <input type="checkbox"/> <input type="checkbox"/> -C□( <input type="checkbox"/> )	26.5 (1.043)	25.1 (0.988)	22.5 (0.886)	19.5 (0.768)

\*Please contact your local sales office for inquiries regarding cable length and tolerance.

\*Laminated tape is designed to be a little wider than the cable width. Please contact your local sales office for further details.

## Recommended Soldering Conditions (SMT type)

- Soldering Iron : 300°C or lower, 3 sec. max.
- Solder flux should be applied to PCB and not to contact tails.
- Recommended stencil thickness for solder paste is 0.15mm (0.006")
- Recommended temperature profile for IR reflow as the follows:



Note: Flux should be applied to PCB not connector tails.