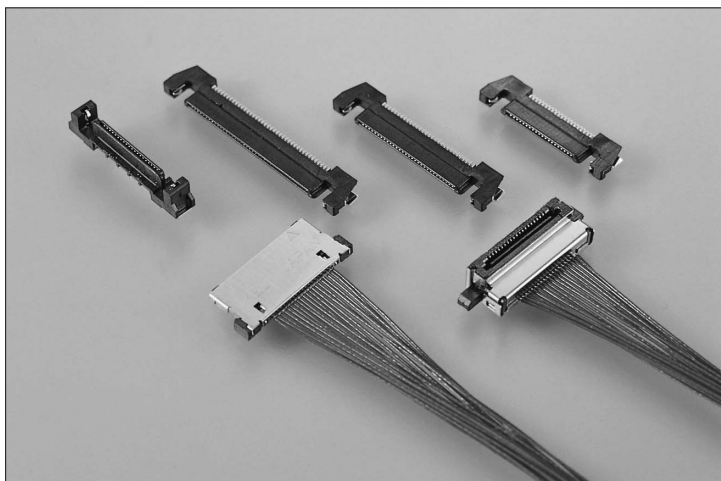


**Connectors for Notebook PC to LCD Connection
(LVDS Applications)
0.5mm Pitch 2 Piece Connector for Miniature Coaxial Cable**

SL SERIES





FEATURES

- Connector for Notebook PC to LCD interconnect and LVDS applications (LVDS: Low Voltage Differential Signaling)
- For #40 AWG miniature coaxial cable
- Ultra low profile with 1.5mm (Right angle Receptacle to Straight Plug, including PCB thickness), 5.6mm (Straight Receptacle to Right angle Plug)
- The 3 variations of PCB mount connectors feature versions with 0.4mm and 0.6mm offsets, and a version with no offset. (Right angle Receptacle)
- Signal terminals are soldered by Pulse Heat in one shot and keep a stable & highly reliable connection
- Superior design protects the contacts from damage
- Designed for 50Ω characteristic impedance and antitwisting cable (more than 100,000 cycles) for harness assembly
- Sensible mating and reliable connection
- Miniature coaxial cable (#40 AWG) and metal shell provide excellent transmission and EMI protection
- RoHS compliance

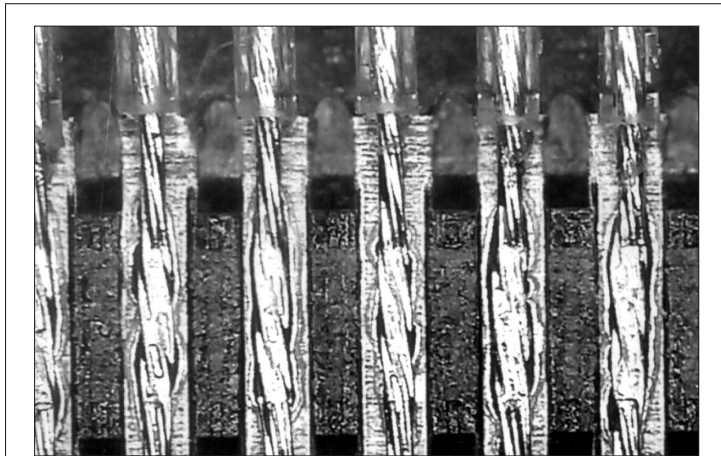
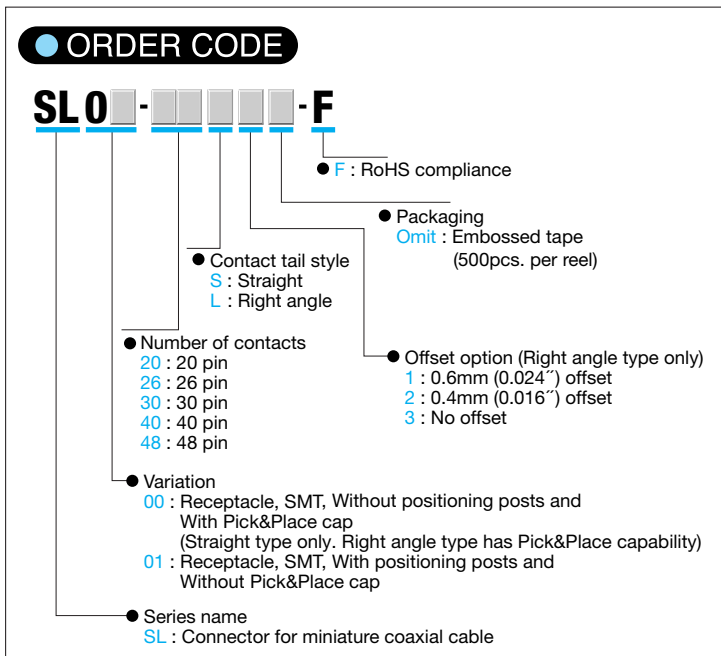
SPECIFICATIONS

- Insulator material : Glass-filled LCP (UL 94V-0), Black
- Contact material : Phosphor Bronze
- Contact plating : 0.05μm min. Gold over Nickel
- SMT Retention clip : Copper alloy
- SMT Retention clip plating : 0.05μm min. Gold over Nickel
- Shell material : Copper alloy
- Shell plating : 0.5μm min. Nickel
- Pick&Place cap material : Glass-filled Nylon 46 (UL 94V-0), Black
- Current rating : 0.3A per contact
- Contact resistance : 50mΩ max. (Except for the cable resistance)
- Dielectric withstanding voltage : 200V AC for 1 minute
- Insulation resistance : 100MΩ min. at 250V DC
- Operating temperature : -55°C to +85°C

NOTE

Plug connectors are provided with a harness assembly. Please contact your local sales office for further information when ordering. (Refer to page A-12)

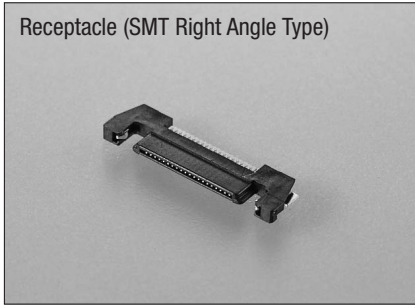
[Our standard packaging style for Receptacle connectors in "Embossed tape (Tape&Reel)", 500 pieces per reel. Orders accepted in 500 pieces increments. Please contact your local sales office for orders less than 500 pieces.]



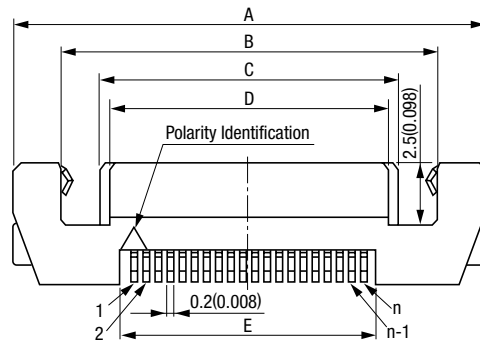
- Harness assemblies for miniature coaxial cable are based on our original "Pulse Heat" soldering method due to highly reliable connection. Accumulated knowledge of our harness assembly technology provides a variety of harness products to meet customer's needs.
- PULSE HEAT SOLDERING
Pulse Heat soldering method is implemented by instantaneous temperature change (Heat up & Cool down) and the tightly controlled temperature of the soldering bar, this assures stable & highly reliable soldered connection with less solder. (Photograph left: soldered connector terminal and cable)

SL0□-□□L1□-F (Receptacle for 0.6mm Offset or PCB thickness, Right angle)

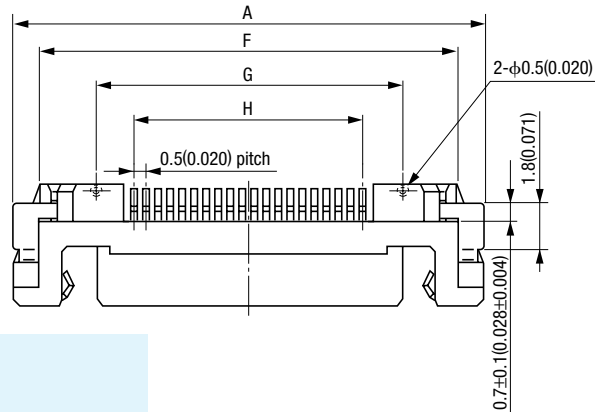
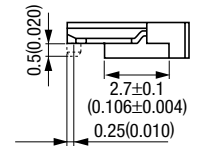
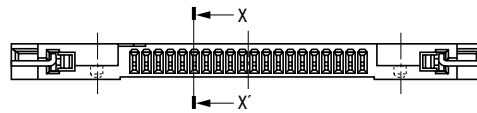
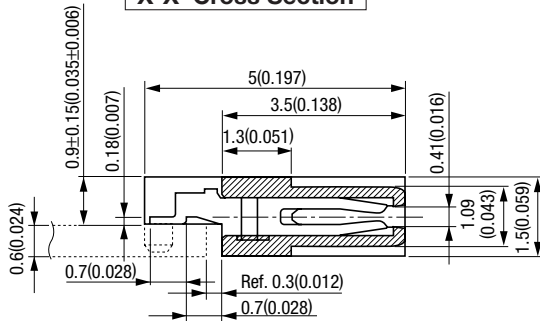
Receptacle (SMT Right Angle Type)



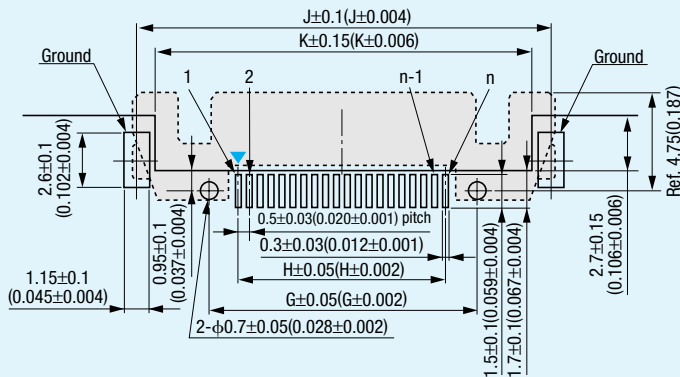
Unit:mm(inch)



X-X' Cross Section



Recommended Board Layout (Component Side View)



"n" is number of contacts.

Product Table / Dimensions

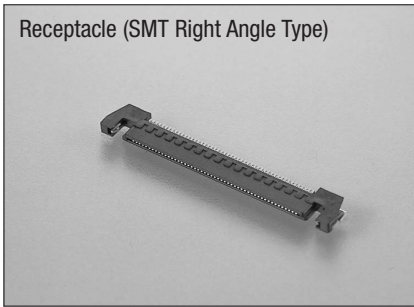
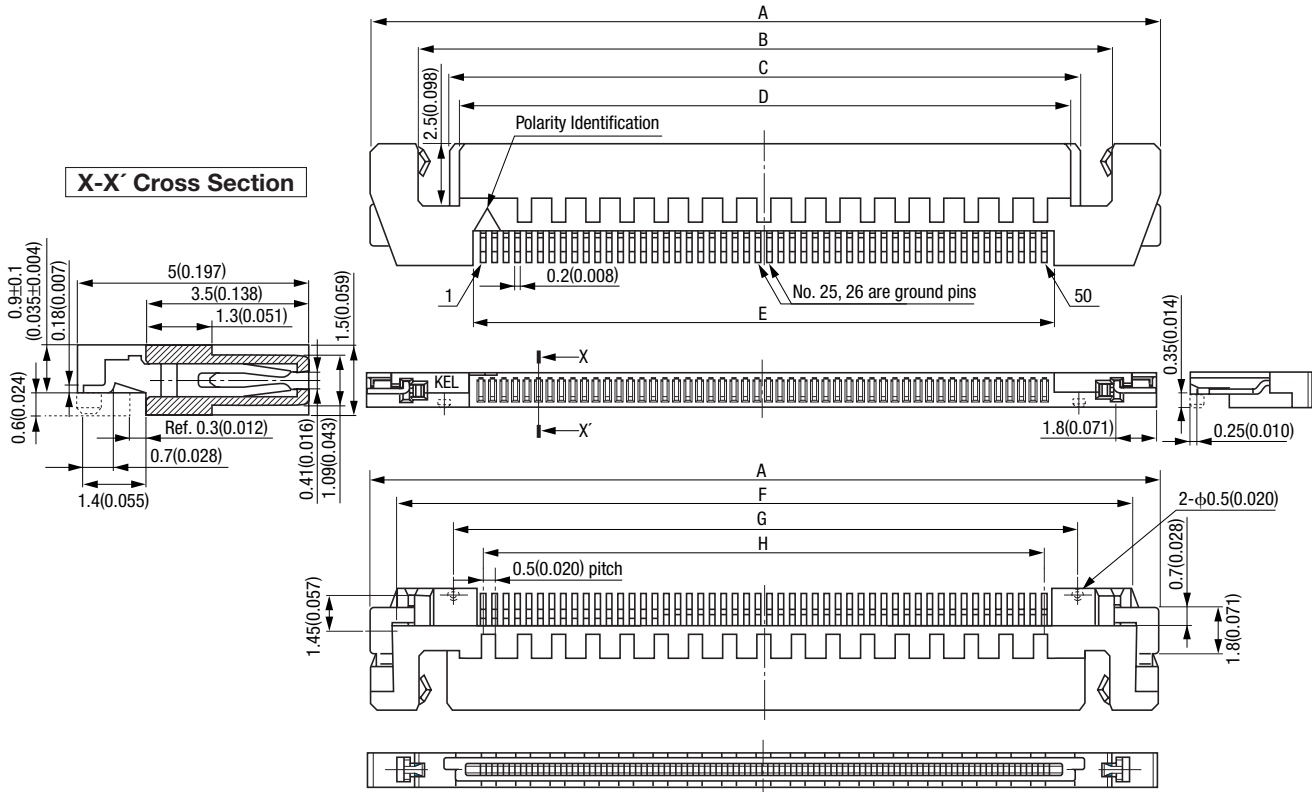
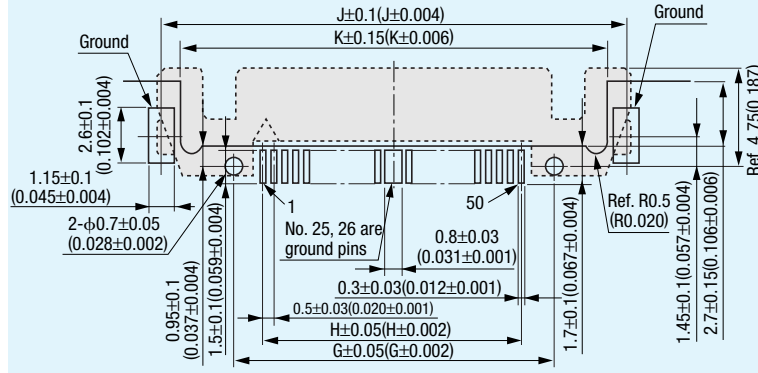
No. of contacts	Part Number	A	B	C	D	E	F	G	H	J	K	Number of packaging
20	SL0□-20L1□-F	19.50 (0.768)	15.50 (0.610)	12.50 (0.492)	11.50 (0.453)	10.50 (0.413)	17.40 (0.685)	12.70 (0.500)	9.50 (0.374)	19.35 (0.762)	17.80 (0.701)	500
26	SL0□-26L1□-F	22.50 (0.886)	18.50 (0.728)	15.50 (0.610)	14.50 (0.571)	13.50 (0.531)	20.40 (0.803)	15.70 (0.618)	12.50 (0.492)	22.35 (0.880)	20.80 (0.819)	500
30	SL0□-30L1□-F	24.50 (0.965)	20.50 (0.807)	17.50 (0.689)	16.50 (0.650)	15.50 (0.610)	22.40 (0.882)	17.70 (0.697)	14.50 (0.571)	24.35 (0.959)	22.80 (0.898)	500
40	SL0□-40L1□-F	29.50 (1.161)	25.50 (1.004)	22.50 (0.886)	21.50 (0.846)	20.50 (0.807)	27.40 (1.079)	22.70 (0.894)	19.50 (0.768)	29.35 (1.156)	27.80 (1.094)	500

Packaging style
Embossed tape

SL0□-48L1□-F (Receptacle for 0.6mm Offset or PCB thickness, Right angle, 48pin)

Receptacle (SMT Right Angle Type)

Unit:mm(inch)

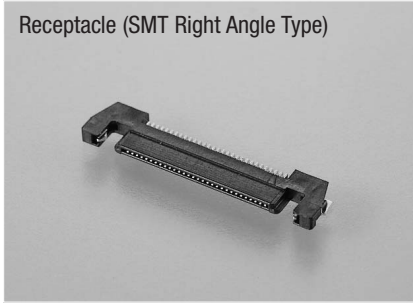

X-X' Cross Section

Recommended Board Layout (Component Side View)

 Packaging style
 Embossed tape

Product Table / Dimensions

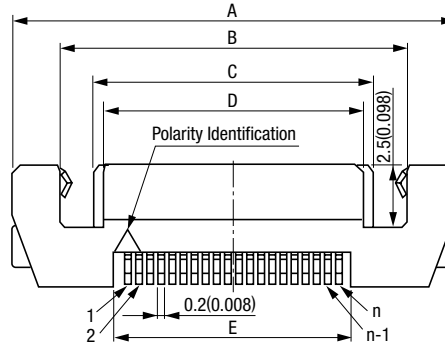
No. of contacts	Part Number	A	B	C	D	E	F	G	H	J	K	Number of packaging
48	SL0□-48L1□-F	34.50 (1.358)	30.50 (1.201)	27.90 (1.098)	26.90 (1.059)	25.50 (1.004)	32.40 (1.276)	27.70 (1.091)	24.50 (0.965)	34.35 (1.352)	32.80 (1.291)	500

SL0□-□□L2□-F (Receptacle for 0.4mm Offset or PCB thickness, Right angle)

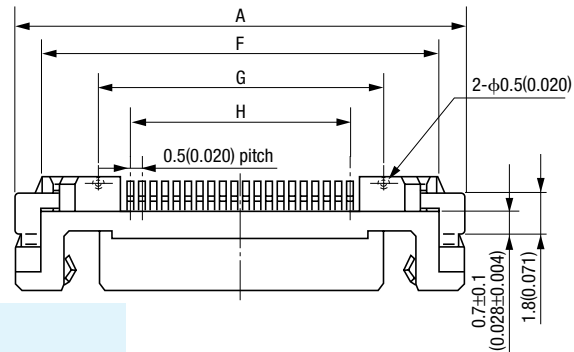
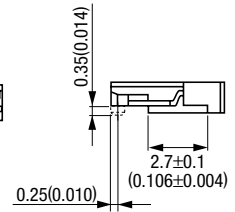
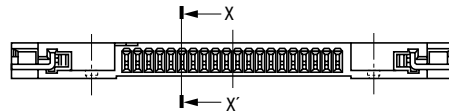
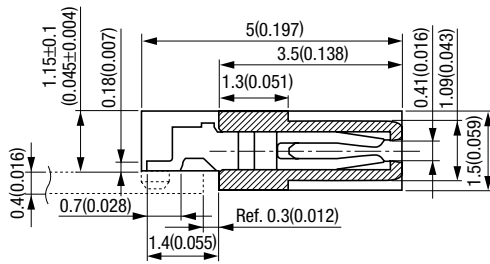
Receptacle (SMT Right Angle Type)



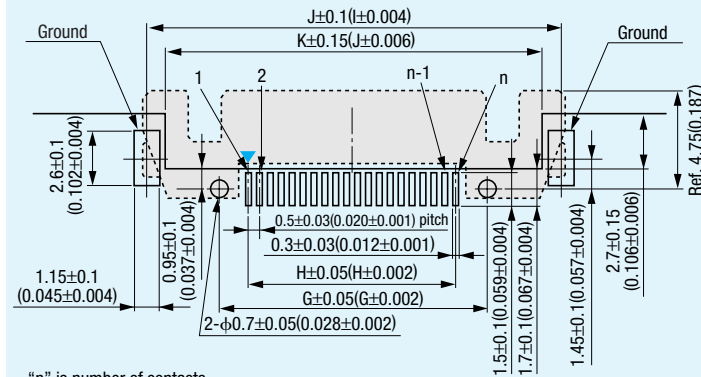
Unit:mm(inch)



X-X' Cross Section



Recommended Board Layout (Component Side View)



"n" is number of contacts.

Packaging style
Embossed tape

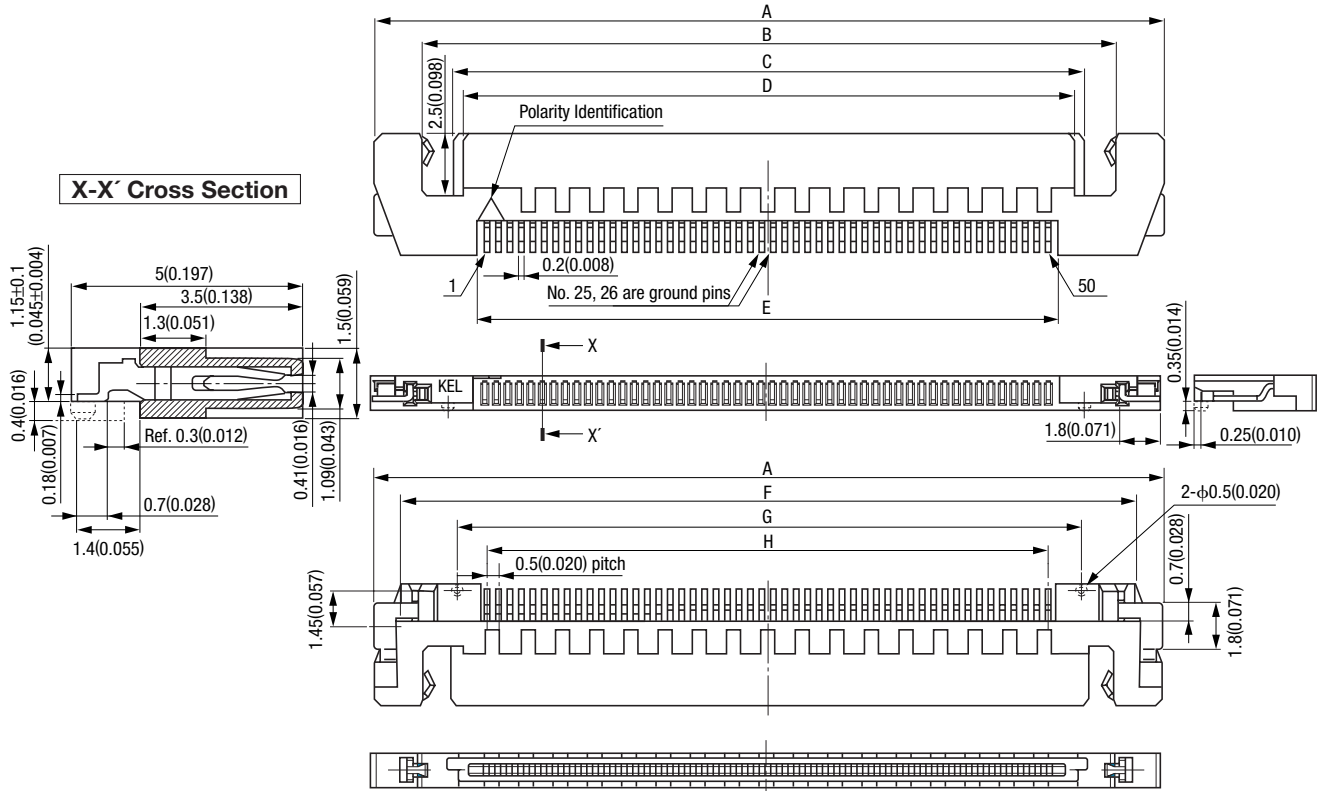
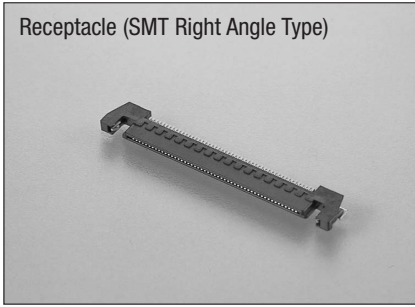
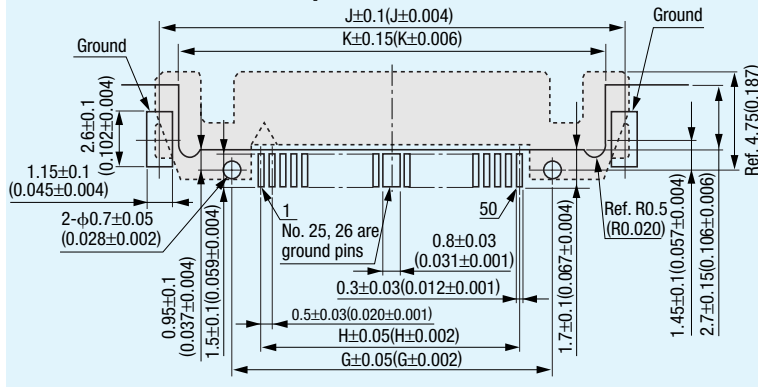
■ Product Table / Dimensions

No. of contacts	Part Number	A	B	C	D	E	F	G	H	J	K	Number of packaging
20	SL0□-20L2□-F	19.50 (0.768)	15.50 (0.610)	12.50 (0.492)	11.50 (0.453)	10.50 (0.413)	17.40 (0.685)	12.70 (0.500)	9.50 (0.374)	19.35 (0.762)	17.80 (0.701)	500
26	SL0□-26L2□-F	22.50 (0.886)	18.50 (0.728)	15.50 (0.610)	14.50 (0.571)	13.50 (0.531)	20.40 (0.803)	15.70 (0.618)	12.50 (0.492)	22.35 (0.880)	20.80 (0.819)	500
30	SL0□-30L2□-F	24.50 (0.965)	20.50 (0.807)	17.50 (0.689)	16.50 (0.650)	15.50 (0.610)	22.40 (0.882)	17.70 (0.697)	14.50 (0.571)	24.35 (0.959)	22.80 (0.898)	500
40	SL0□-40L2□-F	29.50 (1.161)	25.50 (1.004)	22.50 (0.886)	21.50 (0.846)	20.50 (0.807)	27.40 (1.079)	22.70 (0.894)	19.50 (0.768)	29.35 (1.156)	27.80 (1.094)	500

SL0□-48L2□-F (Receptacle for 0.4mm Offset or PCB thickness, Right angle, 48pin)

Receptacle (SMT Right Angle Type)

Unit:mm(inch)

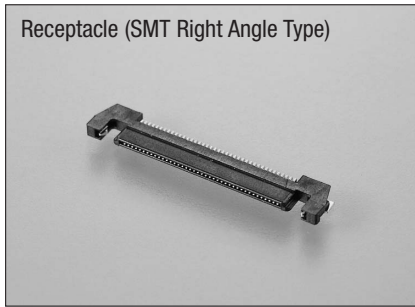

Recommended Board Layout (Component Side View)

 Packaging style
 Embossed tape

Product Table / Dimensions

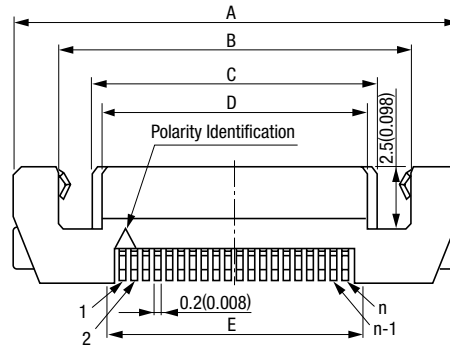
No. of contacts	Part Number	A	B	C	D	E	F	G	H	J	K	Number of packaging
48	SL0□-48L2□-F	34.50 (1.358)	30.50 (1.201)	27.90 (1.098)	26.90 (1.059)	25.50 (1.004)	32.40 (1.276)	27.70 (1.091)	24.50 (0.965)	34.35 (1.352)	32.80 (1.291)	500

SL0□-□□L3□-F (Receptacle for No Offset, Right angle)

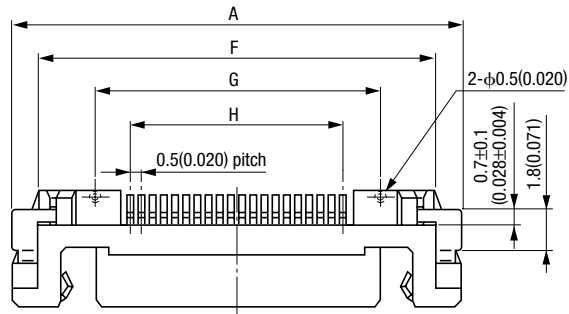
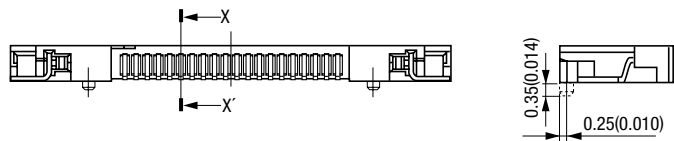
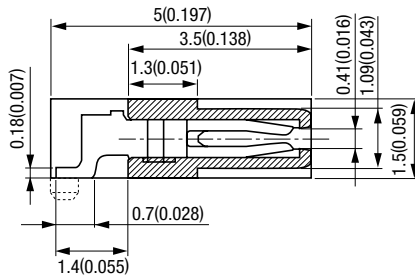
Receptacle (SMT Right Angle Type)



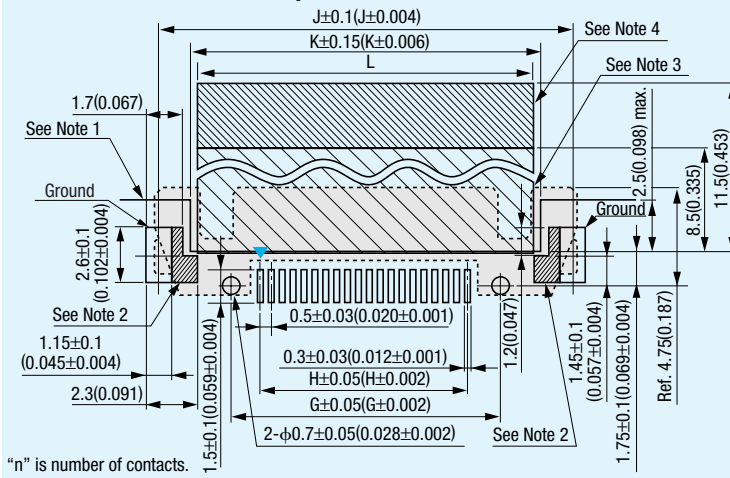
Unit:mm(inch)



X-X' Cross Section



Recommended Board Layout (Component Side View)



"n" is number of contacts.

NOTES

1. Pattern Prohibition Area (The Metal Retention clip is in contact with diagonal line area)
2. Pattern Prohibition Area, when mated with Straight Plug (SL20-XXS)(The Metal Shell of Plug is in contact with diagonal line area)
3. Pattern Warning Area, when mated with Straight Plug (SL20-XXS)(The Metal Shell of Plug is in contact with diagonal line area, during insertion and withdrawal.)
4. When mated with Right angle Plug (SL20-XXL), PCB must be cut away to allow mating.

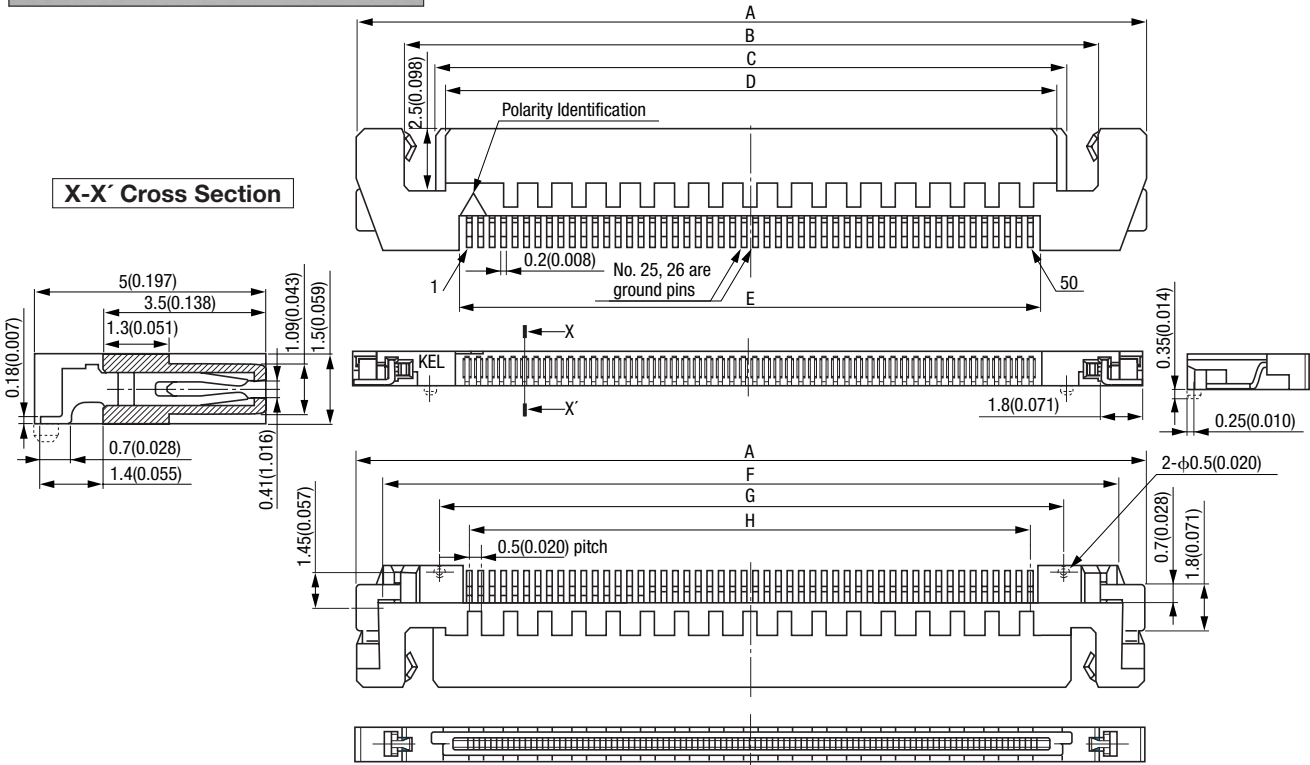
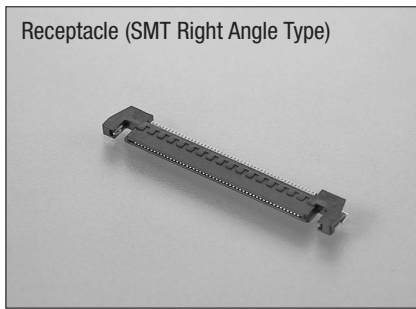
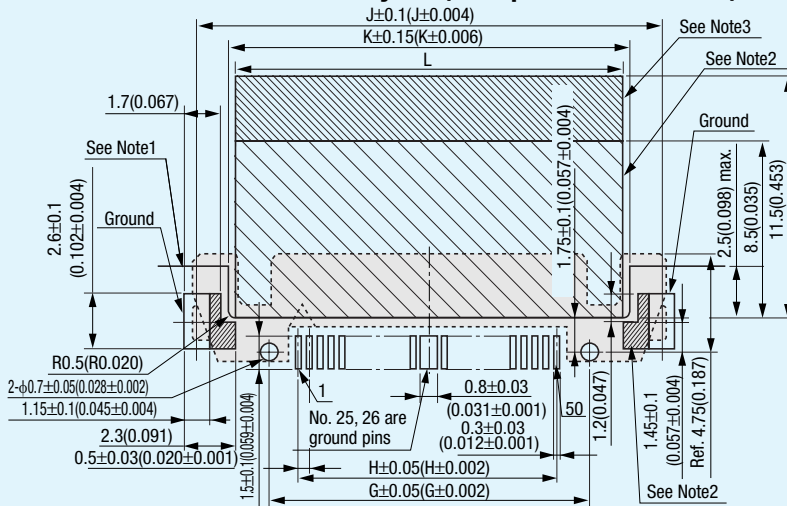
Packaging style
Embossed tape

■ Product Table / Dimensions

No. of contacts	Part Number	A	B	C	D	E	F	G	H	J	K	L	Number of packaging
20	SL0□-20L3□-F	19.50 (0.768)	15.50 (0.610)	12.50 (0.492)	11.50 (0.453)	10.50 (0.413)	17.40 (0.685)	12.70 (0.500)	9.50 (0.374)	19.35 (0.762)	16.50 (0.650)	16.20 (0.638)	500
26	SL0□-26L3□-F	22.50 (0.886)	18.50 (0.728)	15.50 (0.610)	14.50 (0.571)	13.50 (0.531)	20.40 (0.803)	15.70 (0.618)	12.50 (0.492)	22.35 (0.880)	19.50 (0.768)	19.20 (0.756)	500
30	SL0□-30L3□-F	24.50 (0.965)	20.50 (0.807)	17.50 (0.689)	16.50 (0.650)	15.50 (0.610)	22.40 (0.882)	17.70 (0.697)	14.50 (0.571)	24.35 (0.959)	21.50 (0.846)	21.20 (0.835)	500
40	SL0□-40L3□-F	29.50 (1.161)	25.50 (1.004)	22.50 (0.886)	21.50 (0.846)	20.50 (0.807)	27.40 (1.079)	22.70 (0.894)	19.50 (0.768)	29.35 (1.156)	26.50 (1.043)	26.20 (1.031)	500

SL0□-48L3□-F (Receptacle for No Offset, Right angle, 48pin)

Unit:mm(inch)


Recommended Board Layout (Component Side View)

NOTES

1. Pattern Prohibition Area (The Metal Retention clip is in contact with diagonal line area)
2. Pattern Prohibition Area, when mated with Straight Plug (SL20-48S)(The metal Shell of Plug is in contact with diagonal line area)
3. Pattern Warning Area, when mated with Straight Plug (SL20-48S)(The Metal Shell of Plug is in contact with diagonal line area, during insertion and withdrawal.)
4. When mated with Right angle Plug (SL20-48L), PCB must be cut away to allow mating.

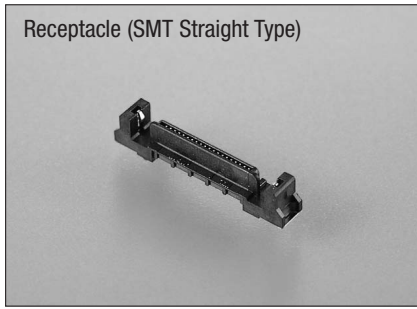
 Packaging style
 Embossed tape

Product Table / Dimensions

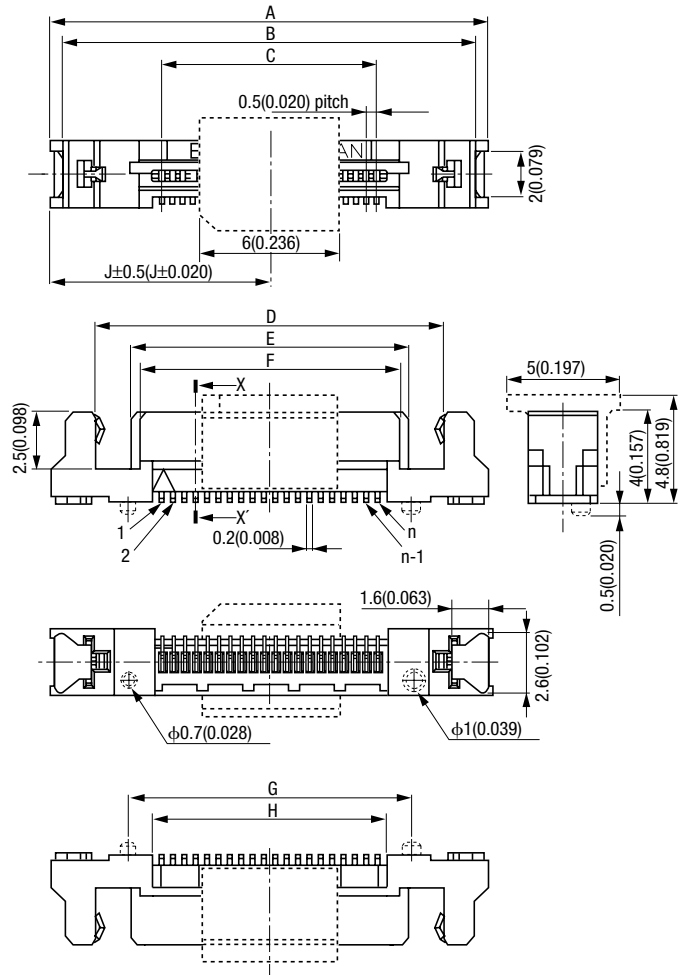
No. of contacts	Part Number	A	B	C	D	E	F	G	H	J	K	L	Number of packaging
48	SL0□-48L3□-F	34.50 (1.358)	30.50 (1.201)	27.90 (1.098)	26.90 (1.059)	25.50 (1.004)	32.40 (1.276)	27.70 (1.091)	24.50 (0.965)	34.35 (1.352)	31.50 (1.240)	30.74 (1.210)	500

SL0□-□□S□-F (Receptacle, Straight)

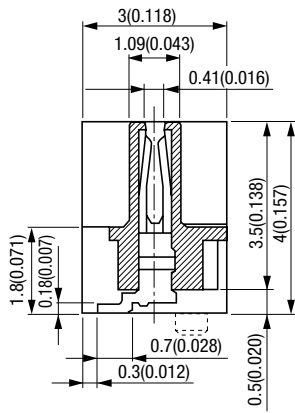
Unit:mm(inch)



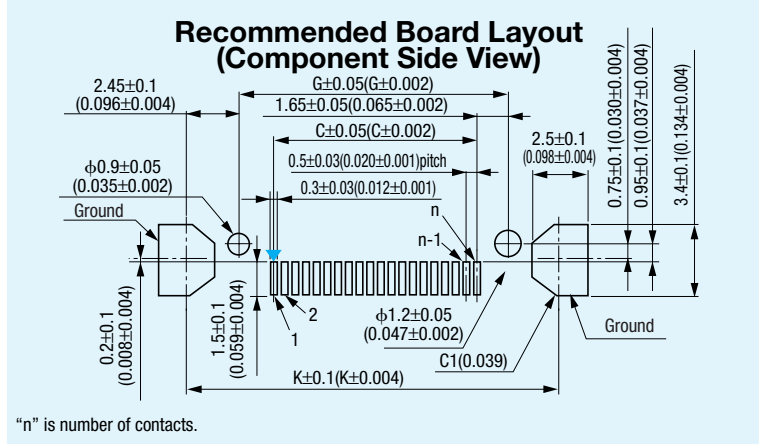
Receptacle (SMT Straight Type)



X-X' Cross Section



Recommended Board Layout (Component Side View)



"n" is number of contacts.

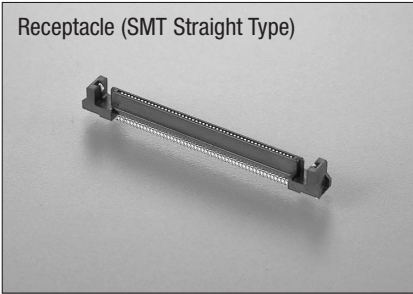
Packaging style
Embossed tape

Product Table / Dimensions

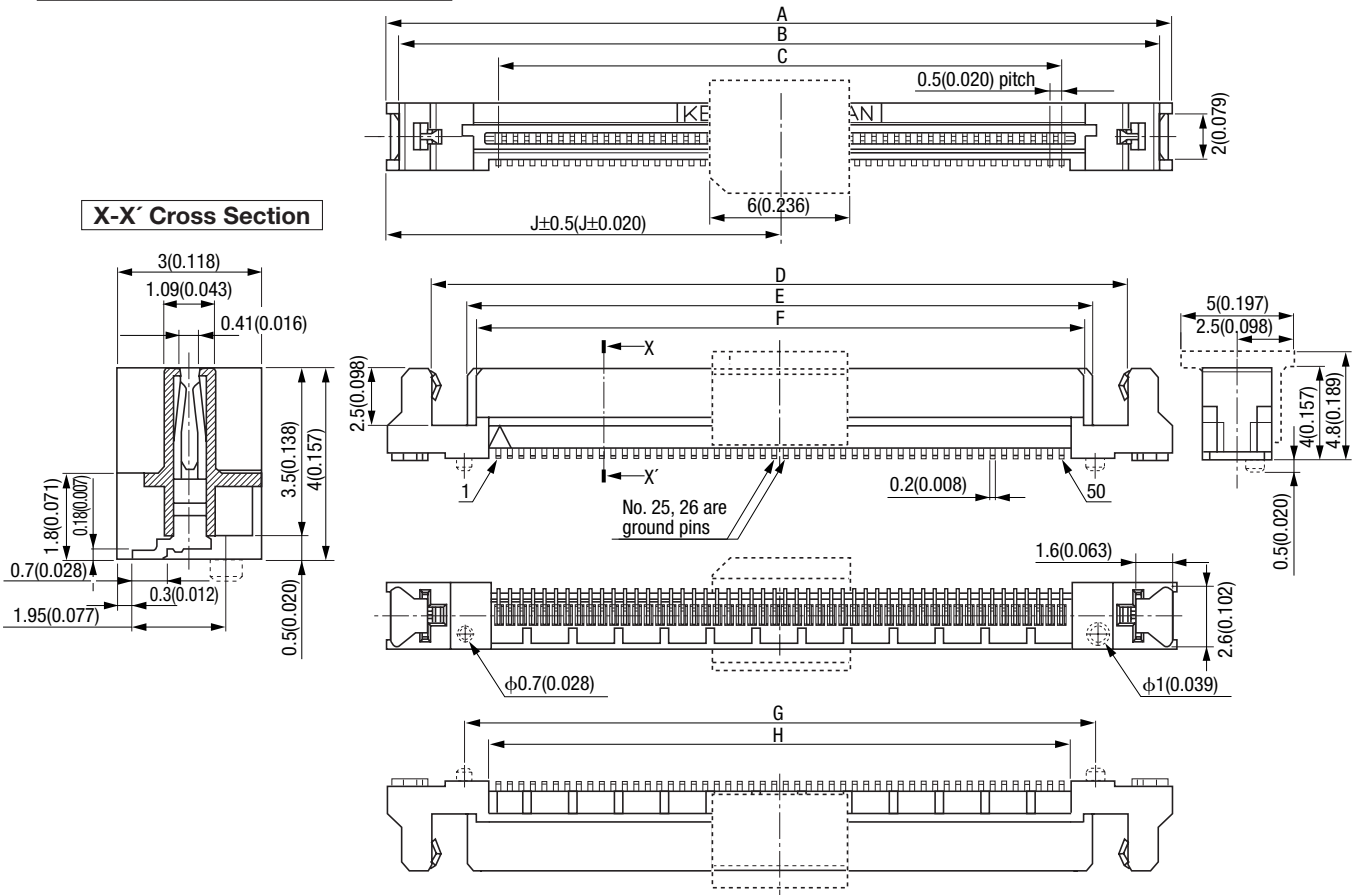
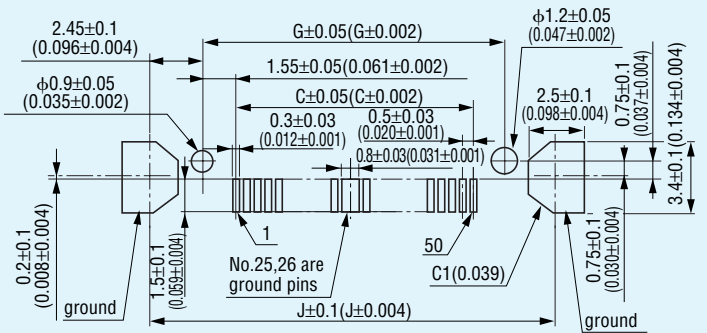
No. of contacts	Part Number	A	B	C	D	E	F	G	H	J	K	Number of packaging
20	SL0□-20S□-F	19.50 (0.768)	18.10 (0.713)	9.50 (0.374)	15.50 (0.610)	12.50 (0.492)	11.50 (0.453)	12.70 (0.500)	10.50 (0.413)	9.75 (0.384)	17.60 (0.693)	500
26	SL0□-26S□-F	22.50 (0.886)	21.10 (0.831)	12.50 (0.492)	18.50 (0.728)	15.50 (0.610)	14.50 (0.571)	15.70 (0.618)	13.50 (0.531)	11.25 (0.443)	20.60 (0.811)	500
30	SL0□-30S□-F	24.50 (0.965)	23.10 (0.909)	14.50 (0.571)	20.50 (0.807)	17.50 (0.689)	16.50 (0.650)	17.70 (0.697)	15.50 (0.610)	12.25 (0.482)	22.60 (0.890)	500
40	SL0□-40S□-F	29.50 (1.161)	28.10 (1.106)	19.50 (0.768)	25.50 (1.004)	22.50 (0.886)	21.50 (0.846)	22.70 (0.894)	20.50 (0.807)	14.75 (0.581)	27.60 (1.087)	500

SL0□-48S□-F (Receptacle, Straight, 48pin)

Receptacle (SMT Straight Type)



Unit:mm(inch)

X-X' Cross Section

Recommended Board Layout (Component Side View)

 Packaging style
 Embossed tape

Product Table / Dimensions

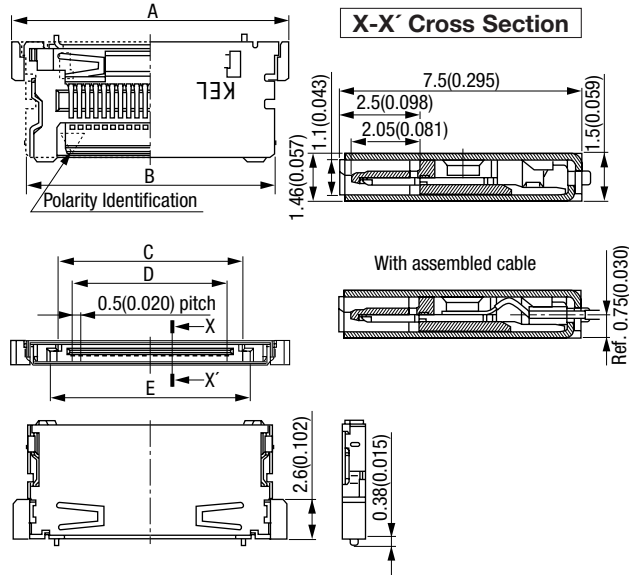
No. of contacts	Part Number	A	B	C	D	E	F	G	H	J	K	Number of packaging
48	SL0□-48S□-F	34.50 (1.358)	33.10 (1.303)	24.50 (0.965)	30.50 (1.201)	27.90 (1.098)	26.90 (1.059)	27.70 (1.091)	25.50 (1.004)	17.25 (0.679)	32.60 (1.283)	500

0.5mm PITCH 2 PIECE CONNECTOR FOR MINIATURE COAXIAL CABLE

Plug connector is provided as part of a harness assembly. Please contact your local sales office for further information when ordering.

SL20-□□□ (Plug, With Cable Harness)

● SL20-□□□S

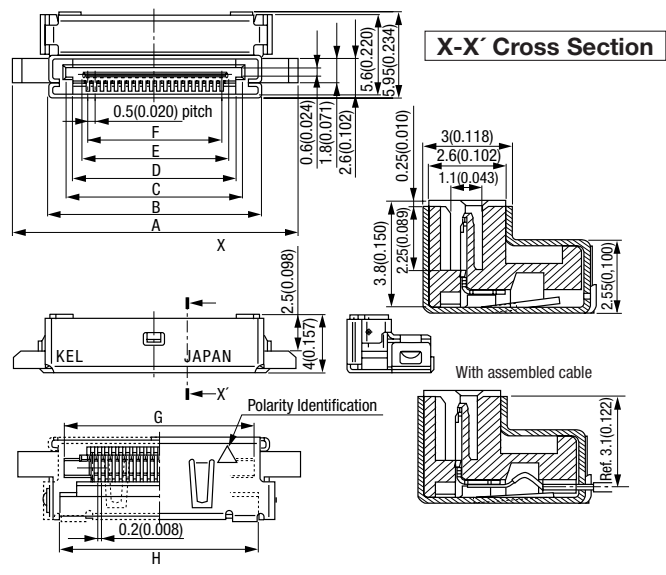


■ Product Table / Dimensions

No. of contacts	Part Number	A	B	C	D	E
20	SL20-20S	17.10 (0.673)	15.20 (0.598)	11.60 (0.457)	9.50 (0.374)	12.60 (0.496)
26	SL20-26S	20.10 (0.791)	18.20 (0.717)	14.60 (0.575)	12.50 (0.492)	15.60 (0.614)
30	SL20-30S	22.10 (0.870)	20.20 (0.795)	16.60 (0.654)	14.50 (0.571)	17.60 (0.693)
40	SL20-40S	27.10 (1.067)	25.20 (0.992)	21.60 (0.850)	19.50 (0.768)	22.60 (0.890)

Unit:mm(inch)

● SL20-□□□L

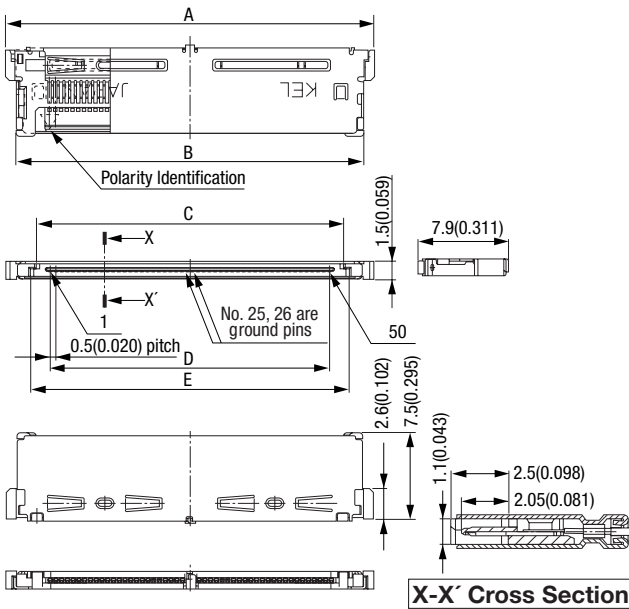


■ Product Table / Dimensions

No. of contacts	Part Number	A	B	C	D	E	F	G	H
20	SL20-20L	19.90 (0.783)	15.30 (0.602)	12.60 (0.496)	11.60 (0.457)	10.30 (0.406)	9.50 (0.374)	13.30 (0.524)	14.00 (0.551)
26	SL20-26L	22.90 (0.902)	18.30 (0.720)	15.60 (0.614)	14.60 (0.575)	13.30 (0.524)	12.50 (0.492)	16.30 (0.642)	17.00 (0.670)
30	SL20-30L	24.90 (0.980)	20.30 (0.799)	17.60 (0.693)	16.60 (0.654)	15.30 (0.602)	14.50 (0.571)	18.30 (0.720)	19.00 (0.748)
40	SL20-40L	29.90 (1.177)	25.30 (0.996)	22.60 (0.890)	21.60 (0.850)	20.30 (0.799)	19.50 (0.768)	23.30 (0.917)	24.00 (0.945)

SL20-48□ (Plug, With Cable Harness, 48pin)

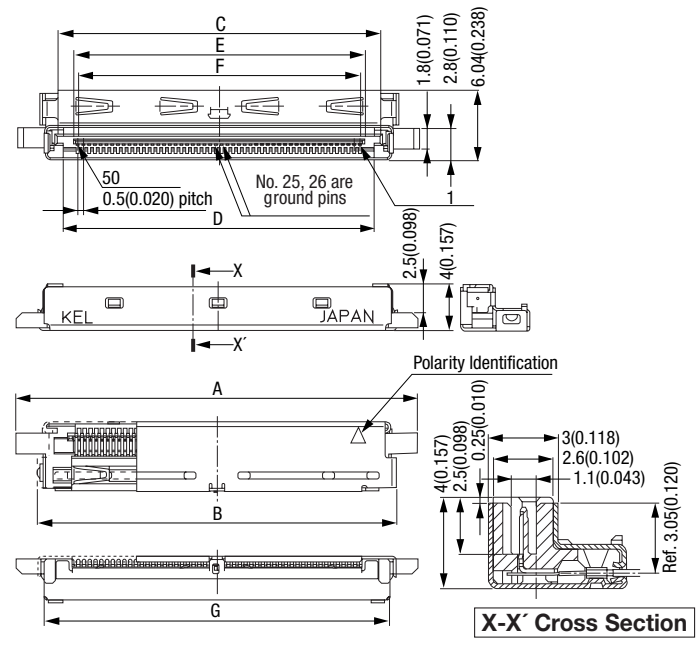
● SL20-48S



■ Product Table / Dimensions

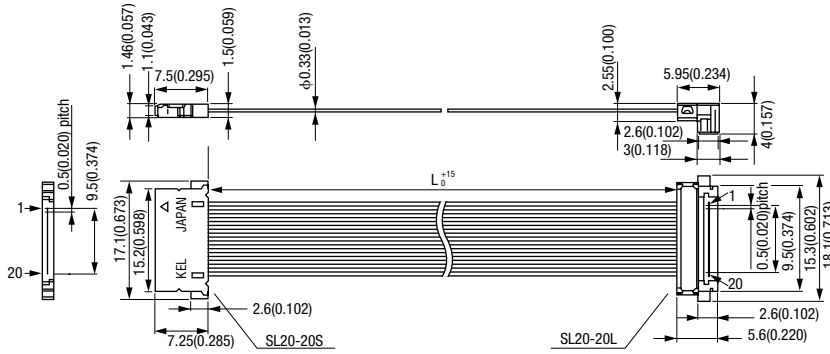
No. of contacts	Part Number	A	B	C	D	E
48	SL20-48S	32.10 (1.264)	30.20 (1.189)	27.00 (1.063)	24.50 (0.965)	28.00 (1.102)

● SL20-48L



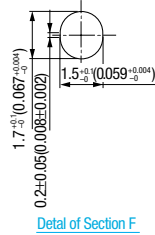
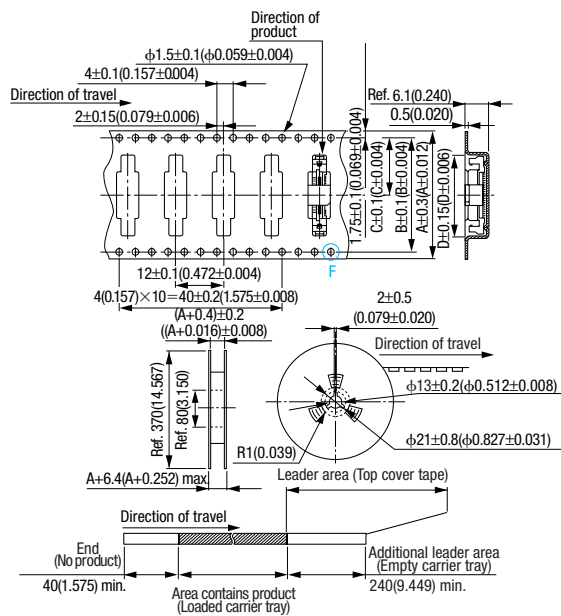
■ Product Table / Dimensions

No. of contacts	Part Number	A	B	C	D	E	F	G
48	SL20-48L	34.90 (1.374)	31.15 (1.226)	28.00 (1.102)	27.00 (1.063)	25.30 (0.996)	24.50 (0.965)	30.30 (1.193)

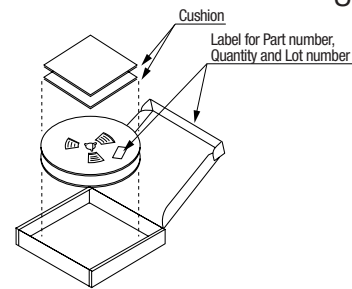
SL20-□□S, SL20-□□L (Plug, With Cable Harness)


Unit:mm(inch)

Plug connector is provided as part of a harness assembly. Please contact your local sales office for further information when ordering.

Packaging Specification SL0□-□□S-F


Detail of Section F

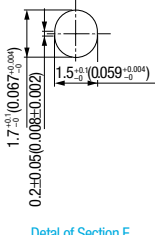
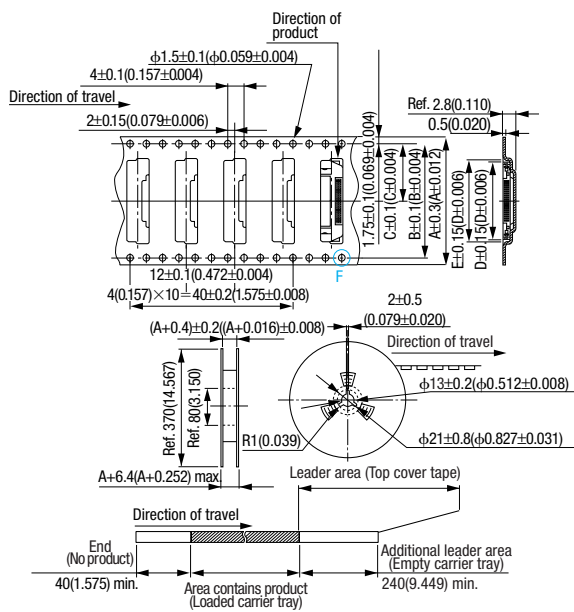


Unit:mm(inch)

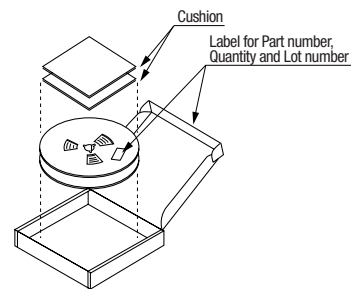
 Packaging style
Embossed tape

Product Table / Dimensions

No. of contacts	Part Number	A	B	C	D	Number of packaging
20	SL0□-20S-F	32.00 (1.260)	28.40 (1.118)	14.20 (0.559)	19.80 (0.780)	500
26	SL0□-26S-F	44.00 (1.732)	40.40 (1.591)	20.20 (0.795)	22.80 (0.898)	500
30	SL0□-30S-F	44.00 (1.732)	40.40 (1.591)	20.20 (0.795)	24.80 (0.976)	500
40	SL0□-40S-F	44.00 (1.732)	40.40 (1.591)	20.20 (0.795)	29.80 (1.173)	500
48	SL0□-48S-F	56.00 (2.205)	52.40 (2.063)	26.20 (1.031)	34.80 (1.370)	500

Packaging Specification SL0□-□□L□-F


Detail of Section F



Unit:mm(inch)

 Packaging style
Embossed tape

Product Table / Dimensions

No. of contacts	Part Number	A	B	C	D	E	Number of packaging
20	SL0□-20L□-F	32.00 (1.260)	28.40 (1.118)	14.20 (0.559)	19.80 (0.780)	20.60 (0.811)	500
26	SL0□-26L□-F	44.00 (1.732)	40.40 (1.591)	20.20 (0.795)	22.80 (0.898)	23.60 (0.929)	500
30	SL0□-30L□-F	44.00 (1.732)	40.40 (1.591)	20.20 (0.795)	24.80 (0.976)	25.60 (1.008)	500
40	SL0□-40L□-F	44.00 (1.732)	40.40 (1.591)	20.20 (0.795)	29.80 (1.173)	30.60 (1.205)	500
48	SL0□-48L□-F	56.00 (2.205)	52.40 (2.063)	26.20 (1.031)	34.80 (1.370)	35.60 (1.402)	500