

FEATURES

- Fully sealed construction
- Kinked tails hold switch to PC board during soldering
- Binary decimal (10 positions) and hexadecimal (16 positions), real and complimentary codes
- 4 different rotor styles; flat, indicator, knob and shaft style
- RoHS compliance

SPECIFICATIONS

- Current rating and voltage:
Non switching 125mA, 30V DC
Switching 125mA, 30V DC
- Contact resistance: 100mΩ max.
- Dielectric withstanding voltage: 250V AC for 1 minute
- Insulation resistance: 1,000MΩ min. at 250V DC
- Durability: 20,000 actuations
- Position: 10 and 16
- Operating temperature: -25°C to +85°C

ORDER CODE

KDS [] [] - [] [] **2** [] - **F**

- Series name
- Code
10 : Binary Decimal
16 : Binary Hexadecimal
- Type
1 : Flat Type
2 : Shaft Type
3 : Indicator Type
4 : Knob Type
- Code
12 : Real Code
22 : Compliment Code
- Color (Applicable for Knob Type Only)
Omit : Black
R : Red
G : Green
- F : RoHS Compliance

●...Real Code ○...Compliment Code

PIN No.	POSITION															
	0	1	2	3	4	5	6	7	8	9	A	B	C	D	E	F
C 1	○	●	○	●	○	●	○	●	○	●	○	●	○	●	○	●
C 2	○	○	●	●	○	○	●	●	○	○	●	●	○	○	●	●
C 4	○	○	○	○	●	●	○	○	○	○	○	○	●	●	○	○
C 8	○	○	○	○	○	○	○	○	○	○	○	○	○	○	○	○

MATERIAL

- Insulator: Glass-filled polyamide
- Contact: Copper alloy
- Contact plating: Gold over Nickel
- Rotor control: Polyacetal
- Rotor switch element: Glass epoxy, gold plating over nickel

Solvents

Acceptable

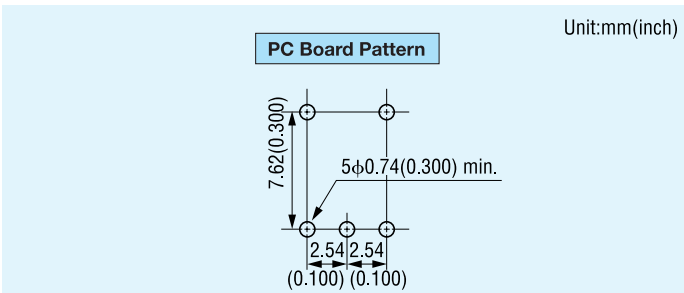
- Isopropyl alcohol
- Ethyl alcohol
- Toluene
- Benzine
- Trichlene(Trichloroethylene)
- Chlorothene(Trichloroethane)
- Freon
(Trichlorotrifluoroethane)

Not acceptable

- Acethone
- Methanol

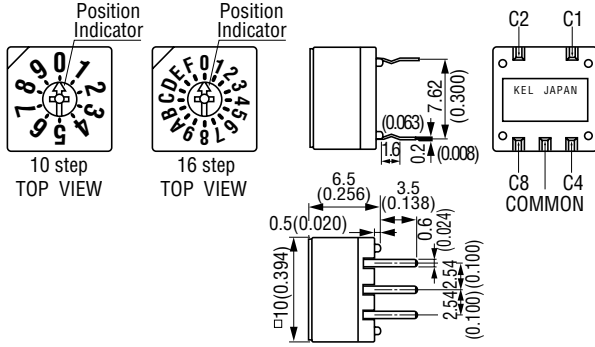
The tables shown below indicate circuits closed when switch is set to various positions.

As an example when switch KDS10-112 is set to position 7, tails 1-2-4 are common to "C".

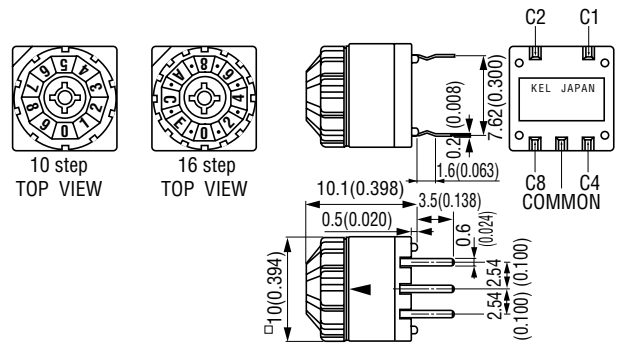


Packaging style	Pipe
Number of packaging	50

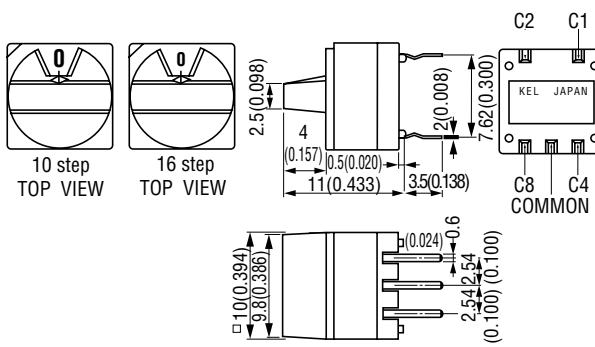
■ **Dimensions (Flat Type)**



■ **Dimensions (Indicator Type)**



■ **Dimensions (Knob Type)**



■ **Dimensions (Shaft Type)**

