

ORDER CODE

● Dual Inline

ICC05 - [] - **360T** - **F**

- Series name
ICC05 : Dual Inline
- No. of contacts
008, 014, 016, 018, 020, 022
024, 028, 032, 040, 042
- Contact name
- T : Standard
TP : Epoxy sealant
- F : RoHS Compliance

ICC05 - [] - **360G** - []

- Series name
ICC05 : Dual Inline
- No. of contacts
008, 014, 016, 018, 020, 022
024, 028, 032, 040, 042
- Contact name
- Plating of contact area
G : Gold (RoHS compliance)
- Omit : Standard
P : Epoxy sealant

FEATURES

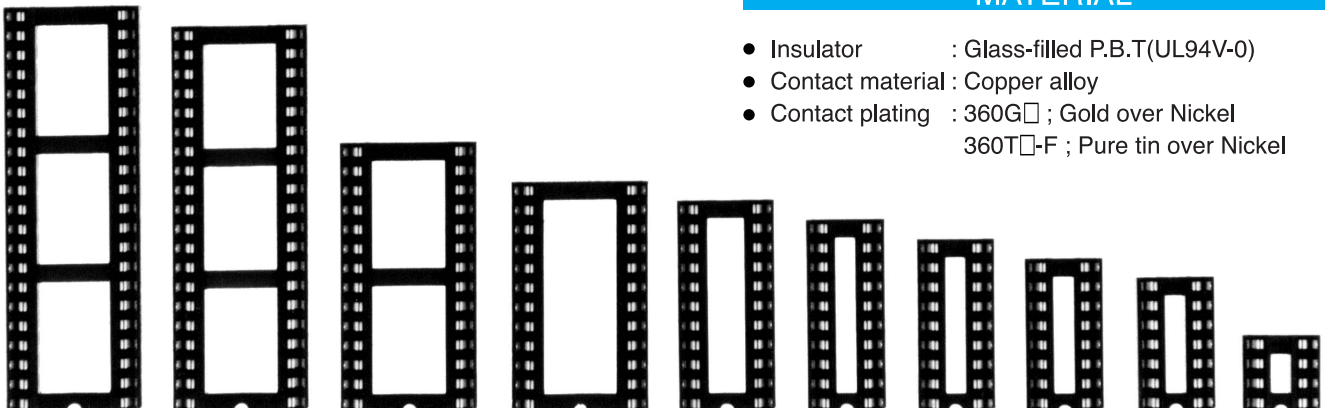
- Kinked contact lead or straight contact lead
- One piece insulator
- Dual beam contacts
- Low profile
- Insulator material UL94V-0
- Anti solder-wicking
- Side and end stackable
- Conforms to EIA RS-415
- RoHS compliance

SPECIFICATIONS

- Current rating : 1A per contact
- Contact resistance : 20mΩ max.
- Insulation resistance : 5000MΩ min. 500V DC
- Insertion force : 454g max. a contact
- Withdrawal force : 14.2g min. a contact
- Operation temperature : -20°C~+70°C

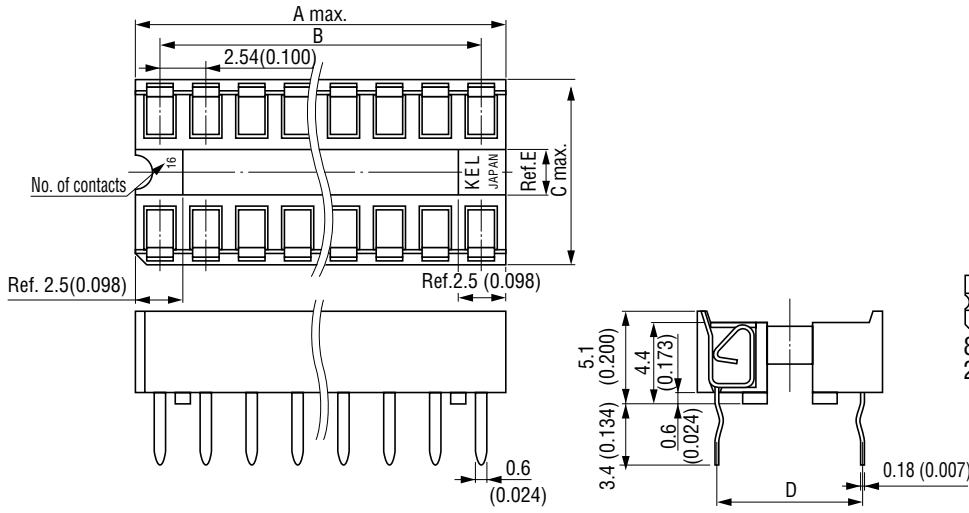
MATERIAL

- Insulator : Glass-filled P.B.T.(UL94V-0)
- Contact material : Copper alloy
- Contact plating : 360G□ ; Gold over Nickel
360T□-F ; Pure tin over Nickel

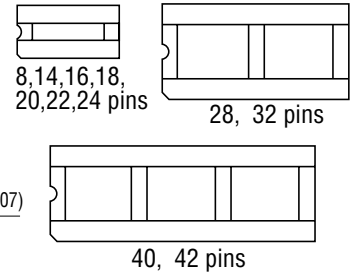


■ Dimensions for ICC05 Series (8,14,16,18,20,22pin)

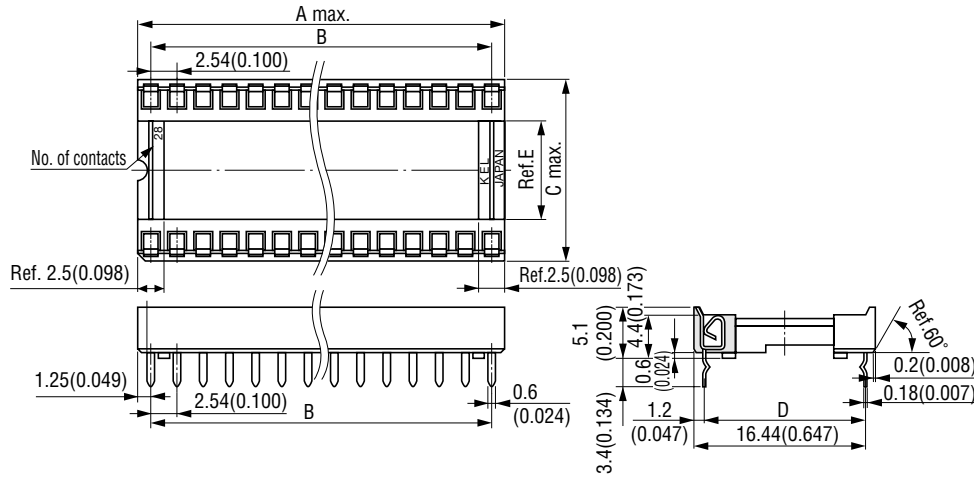
Unit:mm(inch)



Insulator Configuration



■ Dimensions for ICC05 Series (24,28,32,40,42pin)



Packaging style
Pipe

■ Dimensions

No. of contacts	A	B	C	D	E	Number of packaging
8	10.16 (0.400)	7.62 (0.300)	10.16 (0.400)	7.62 (0.300)	2.6 (0.102)	50
14	17.78 (0.700)	15.24 (0.600)	10.16 (0.400)	7.62 (0.300)	2.6 (0.102)	28
16	20.32 (0.800)	17.78 (0.700)	10.16 (0.400)	7.62 (0.300)	2.6 (0.102)	25
18	22.86 (0.900)	20.32 (0.800)	10.16 (0.400)	7.62 (0.300)	2.6 (0.102)	22
20	25.40 (1.000)	22.86 (0.900)	10.16 (0.400)	7.62 (0.300)	2.6 (0.102)	20
22	27.94 (1.100)	25.40 (1.000)	12.70 (0.500)	10.16 (0.400)	4.7 (0.185)	18
24	30.48 (1.200)	27.94 (1.100)	17.78 (0.700)	15.24 (0.600)	9.4 (0.370)	16
28	35.56 (1.400)	33.02 (1.300)	17.78 (0.700)	15.24 (0.600)	9.4 (0.370)	14
32	40.46 (1.600)	38.10 (1.500)	17.78 (0.700)	15.24 (0.600)	9.4 (0.370)	12
40	50.80 (2.000)	48.26 (1.900)	17.78 (0.700)	15.24 (0.600)	9.4 (0.370)	10
42	53.34 (2.100)	50.80 (2.000)	17.78 (0.700)	15.24 (0.600)	9.4 (0.370)	9

PC Board Pattern

