

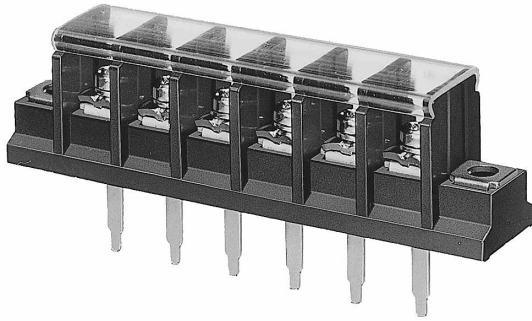
# 貫通型端子盤



Through-type Terminal Block

貫通型

プリント基板用

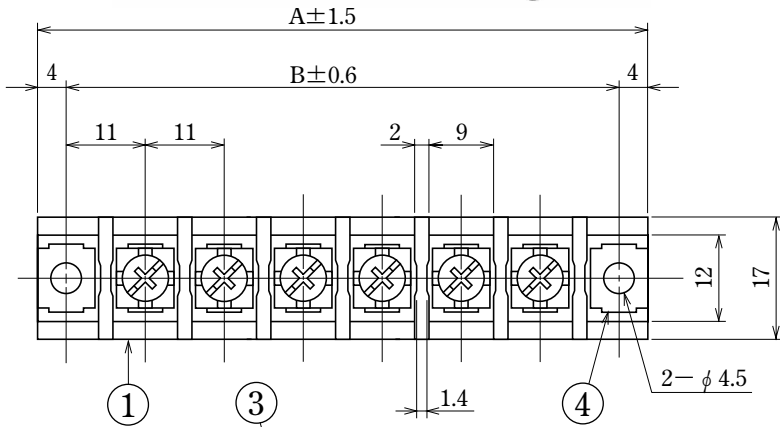


ピッチ/Pitch 11mm

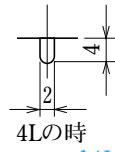
|                               |  |
|-------------------------------|--|
| 型名<br>Type Number             | F2331A                                   |
| 定格<br>Rating                  | AC250V 20A                               |
| 絶縁抵抗<br>Insulation Resistance | 500V 1000MΩ以上<br>DC500V 1000MΩ and over  |
| 耐電圧<br>Withstands Voltage     | 2000V 1分間以上<br>AC2000V 1 minute and over |
| 適合電線<br>Compatible Wire       | 2.0mm <sup>2</sup>                       |

一般公差/General Tolerance ±0.5

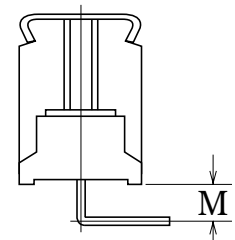
尺度/Scale 1/1 単位/Unit mm



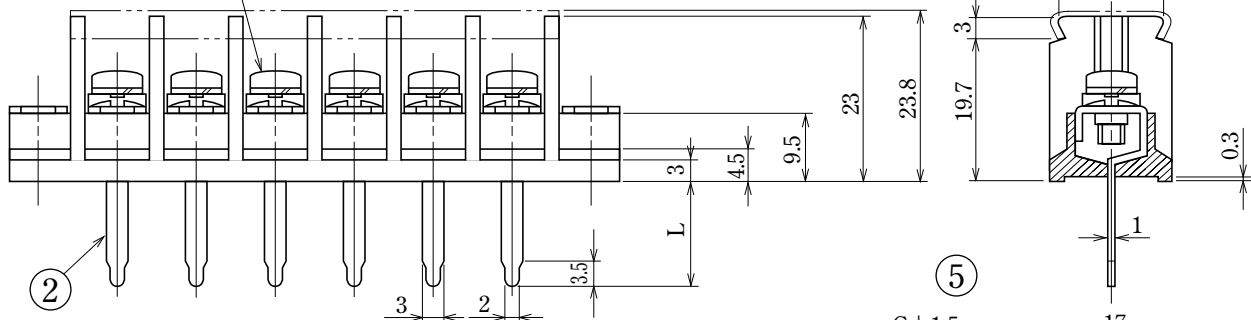
| 呼び/Nominal | L    |
|------------|------|
| 4 L        | 4    |
| 15 L       | 15   |
| 20 L       | 20   |
| 28.5 L     | 28.5 |



In case of 4L



リード曲げ加工例  
Example of a lead bent



- 注文方法: [型名] — [リード長 L] — [曲げ寸法 M] — [極数 P].
- Ordering Form: Type No. Lead Length(L) Bent Length(M) No. of Poles (P)
- (if bending is desired)

- 結線ビス: 締付トルクは1.4N・mです。
- Connection screw: Tightening torque is 1.4N・m.
- カバーはオプションとなっておりますので御希望の際は注文方法の末尾に-CTと御記入ください。但しカバーは添付納入となります。
- A cover is optional. To obtain one, add "-CT" to the end of the order description shown above. A cover will be delivered attached.

## 仕様/Specification.

| 部番/Part No. | 名称/Part Name        | 材質/Material            | 規格/Standard | 寸法/Size   | 処理/Treatment          | 備考/Remark       |
|-------------|---------------------|------------------------|-------------|-----------|-----------------------|-----------------|
| 1           | 基板 Base             | PBT                    | UL          |           |                       | 黒色 Black        |
| 2           | 導電板 Terminal        | 黄銅 Brass               | C2680R      | 板厚 t1.0   | スズメッキ Tin-Plated      |                 |
| 3           | 結線ビス Screw          | 鉄 Steel                | SWCH・SPCC   | M4×0.7×8ℓ | ニッケルメッキ Nickel-Plated | フリータンシビス Type①  |
| 4           | 取付金具 Mounting plate | 黄銅 Brass               | C2680R      | 板厚 t1.0   | ニッケルメッキ Nickel-Plated |                 |
| 5           | カバー Cover           | ポリカーボネート Polycarbonate | UL          | 板厚 t0.8   |                       | 透明 Transparency |

| 極数/Poles | 1P   | 2    | 3    | 4    | 5    | 6    | 7    | 8     | 9     | 10    | 11    | 12    | 13    | 14    | 15    | 16    | 17    | 18    | 19    | 20    | 21    | 22    |
|----------|------|------|------|------|------|------|------|-------|-------|-------|-------|-------|-------|-------|-------|-------|-------|-------|-------|-------|-------|-------|
| A        | 30.0 | 41.0 | 52.0 | 63.0 | 74.0 | 85.0 | 96.0 | 107.0 | 118.0 | 129.0 | 140.0 | 151.0 | 162.0 | 173.0 | 184.0 | 195.0 | 206.0 | 217.0 | 228.0 | 239.0 | 250.0 | 261.0 |
| B        | 22.0 | 33.0 | 44.0 | 55.0 | 66.0 | 77.0 | 88.0 | 99.0  | 110.0 | 121.0 | 132.0 | 143.0 | 154.0 | 165.0 | 176.0 | 187.0 | 198.0 | 209.0 | 220.0 | 231.0 | 242.0 | 253.0 |
| C        | 13.5 | 24.5 | 35.5 | 46.5 | 57.5 | 68.5 | 79.5 | 90.5  | 101.5 | 112.5 | 123.5 | 134.5 | 145.5 | 156.5 | 167.5 | 178.5 | 189.5 | 200.5 | 211.5 | 222.5 | 233.5 | 244.5 |

| 極数/Poles | 23    | 24    |
|----------|-------|-------|
| A        | 272.0 | 283.0 |
| B        | 264.0 | 275.0 |
| C        | 255.5 | 266.5 |