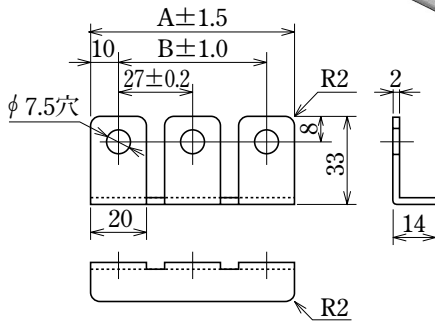
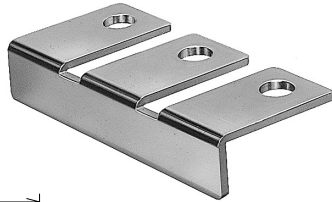


ピッチ/Pitch 27mm

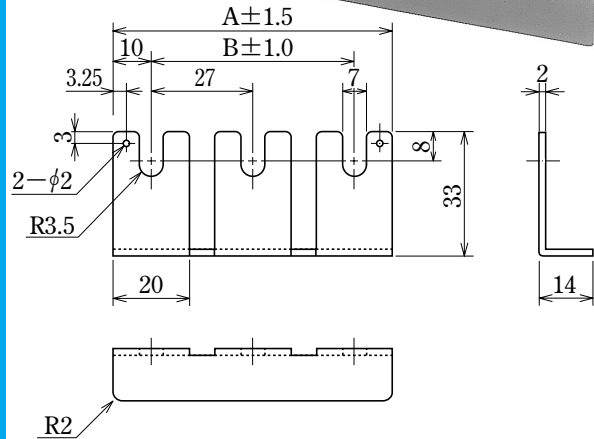
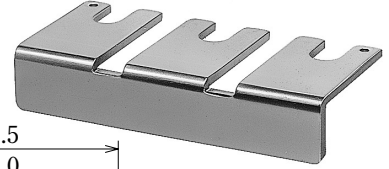
| | |
|-------------------|---------------|
| 型名 Type Number | F2151L |
| 定格 Rating | 100A |



| 極数/No. of Poles | 2 P | 3 | 4 | 5 | 6 | 7 |
|-----------------|-----|----|-----|-----|-----|-----|
| A | 47 | 74 | 101 | 128 | 155 | 182 |
| B | 27 | 54 | 81 | 108 | 135 | 162 |

ピッチ/Pitch 27mm

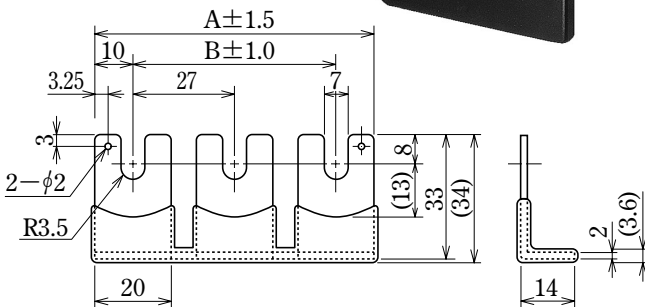
| | |
|-------------------|---------------|
| 型名 Type Number | F2153L |
| 定格 Rating | 100A |



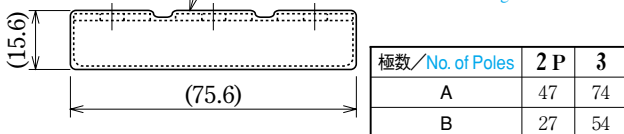
| 極数/No. of Poles | 2 P | 3 |
|-----------------|-----|----|
| A | 47 | 74 |
| B | 27 | 54 |

ピッチ/Pitch 27mm

| | |
|-------------------|----------------|
| 型名 Type Number | F2153LM |
| 定格 Rating | 100A |



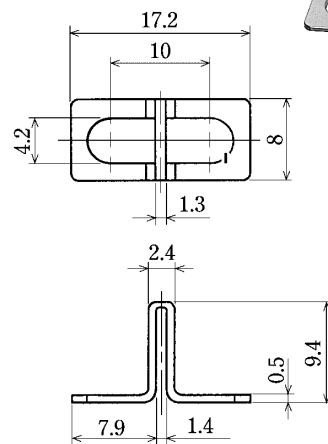
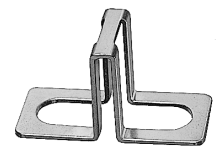
軟質塩化ビニール/Soften Polyvinyl chloride
コーティング厚サt0.8/Coating thickness : t0.8



| 極数/No. of Poles | 2 P | 3 |
|-----------------|-----|----|
| A | 47 | 74 |
| B | 27 | 54 |

ピッチ/Pitch 10mm

| | |
|-------------------|--------------|
| 型名 Type Number | F2154 |
| 定格 Rating | 20A |



● 注文方法: 型名

● Ordering Form : Type No.

■仕様/Specifications.

| 材質/Material | 規格/Standard | 処理/Treatment | 備考/Remark |
|-------------|-------------|-----------------------|-----------|
| 黄銅 Brass | C2680R | ニッケルメッキ Nickel-Plated | |