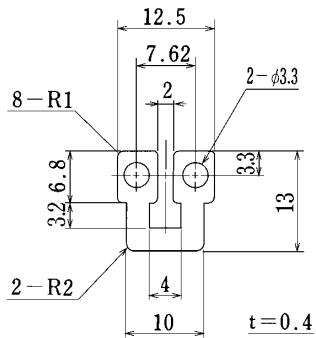


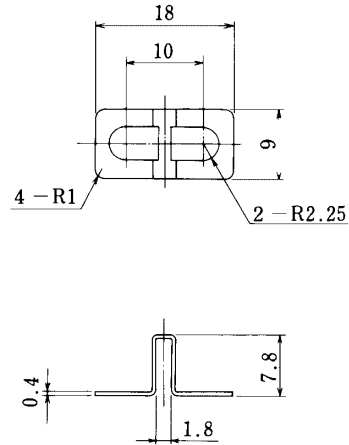
ピッチ/Pitch 7.62mm

|                   |               |
|-------------------|---------------|
| 型名<br>Type Number | <b>F2131A</b> |
| 定格<br>Rating      | 10A           |



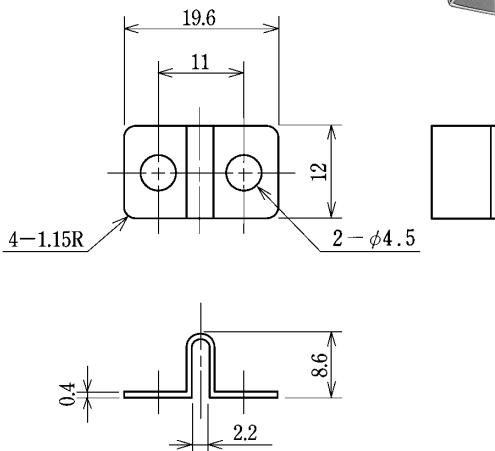
ピッチ/Pitch 10mm

|                   |              |
|-------------------|--------------|
| 型名<br>Type Number | <b>F2133</b> |
| 定格<br>Rating      | 15A          |



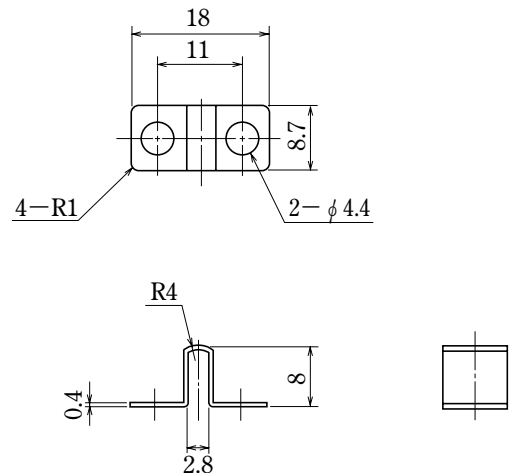
ピッチ/Pitch 11mm

|                   |              |
|-------------------|--------------|
| 型名<br>Type Number | <b>F2134</b> |
| 定格<br>Rating      | 20A          |



ピッチ/Pitch 11mm

|                   |              |
|-------------------|--------------|
| 型名<br>Type Number | <b>F2135</b> |
| 定格<br>Rating      | 20A          |



- 注文方法: 型名
- Ordering Form: Type No.

■仕様/Specifications.

| 材質/Material | 規格/Standard | 処理/Treatment          | 備考/Remark |
|-------------|-------------|-----------------------|-----------|
| 黄銅 Brass    | C2680R      | ニッケルメッキ Nickel-Plated |           |