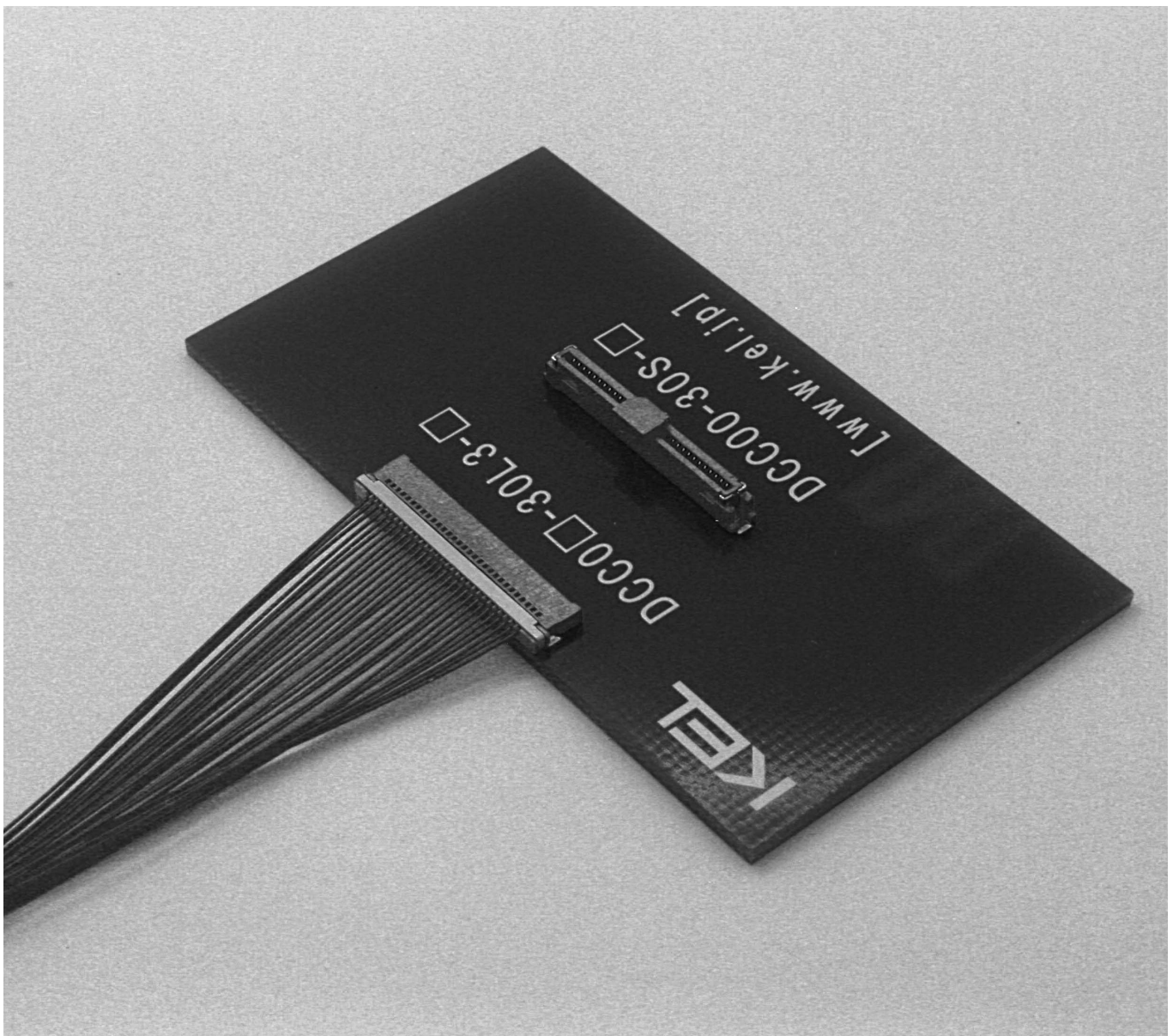
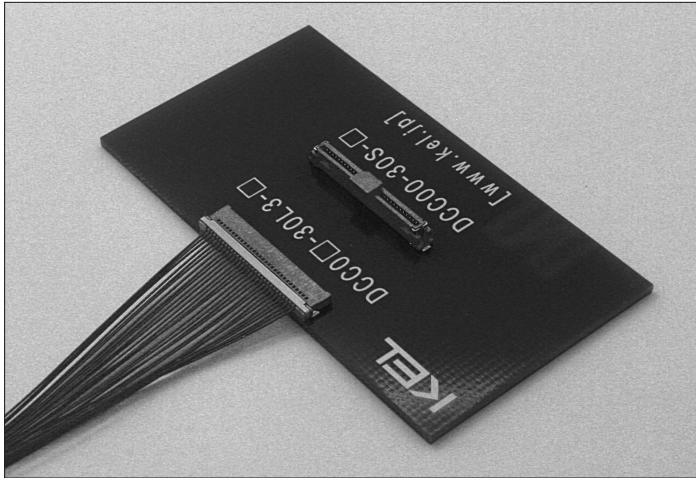


**Fine Pitch (0.5mm), Ultra Low Profile (1.2mm)
IDC Connector for Discrete Wire Cable (#36 AWG)**

DCC_{SERIES}





FEATURES

- Ultra low profile (1.2mm for 10, 20 and 30 pins. 1.5mm for 40 and 50 pins) with 0.5mm pitch
- Mating dimensions
3.8mm : 10, 20 and 30 pins
4.45mm : 40 and 50 pins
- Designed for micro discrete wire cable (AWG#36)
- IDC Cable assembly. (No solder connection)
- 2.75mm width (10, 20 and 30 pins) for Plug (Cable side) allows inserting the cables through narrow hinge shafts (3.4mm width for 40 and 50 pins)
- Original four point cable retention structure improves anti-nipping and twisting durability.
- Half locking mechanism with sensible "Click" assures reliable connection and prevents accidental disengage.
- Selective positioning posts for Right angle/Receptacle
- Designed to prevent mis-insertion
- Five sizes : 10, 20, 30, 40 and 50 pins
- Suction area for automated mounting provided on Receptacle (PCB side)
- PCB side (Receptacle) : Right angle type
Straight type
Cable end (Plug) : Straight type
- RoHS compliance

ORDER CODE

DCC 0 - - - -

- Number of contacts
10 : 10 pin
20 : 20 pin
30 : 30 pin
40 : 40 pin
50 : 50 pin
- Contact tail style
S : Straight
L : Right angle
- Type
00 : Receptacle (SMT) without positioning posts (Straight type has additional Pick&Place cap)
01 : Receptacle (SMT) with positioning posts (Right angle type only)

- Number of packaging
A : 500pcs. per reel
B : 1000pcs. per reel
C : 1500pcs. per reel (Straight only)
3000pcs. per reel (Right angle only : 10, 20, 30 pin)
1500pcs. per reel (Right angle only : 40, 50 pin)
- Offset option (Right angle type only)
3 : No offset

● Series name
DCC : 0.5mm pitch IDC connector for micro discrete wire cable

SPECIFICATIONS

- Insulator material : Glass-filled LCP (UL94V-0), Black
- Contact material : Copper alloy
- Contact plating : Gold (0.05 μ m min.) over Nickel (1-3 μ m)
- IDC cover material : Glass-filled LCP(UL94V-0), Off white
- SMT retention clip : Copper alloy
- SMT retention clip plating : Tin copper (1-4 μ m) over Nickel (1-3 μ m)
- Current rating : 0.3A per contact
- Contact resistance : 100m Ω max.
- Dielectric withstanding voltage : 200V AC for 1 minute
- Insulation resistance : 100M Ω min. at 250V DC
- Operating temperature : -40°C to +85°C

ORDER CODE

DCC 20 - - - -

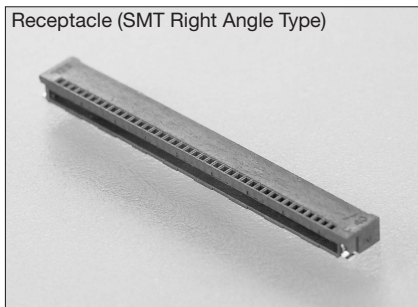
- Number of contacts
10 : 10 pin
20 : 20 pin
30 : 30 pin
40 : 40 pin
50 : 50 pin
- Type
20 : Plug (Cable side connector : IDC)

- Matching cable
A : Discrete wire cable (#36 AWG)
- Contact tail style
S : Straight

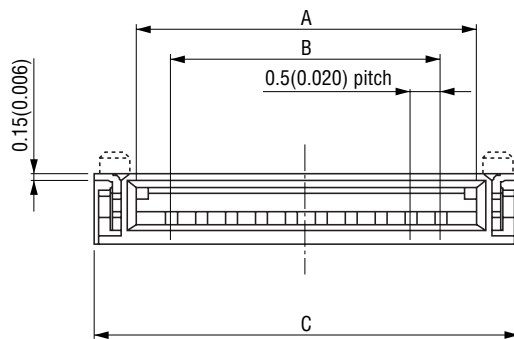
● Series name
DCC : 0.5mm pitch IDC connector for micro discrete wire cable

DCC0□-□□L3-□ (Receptacle, Right angle)

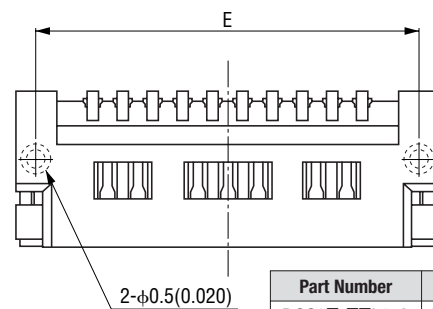
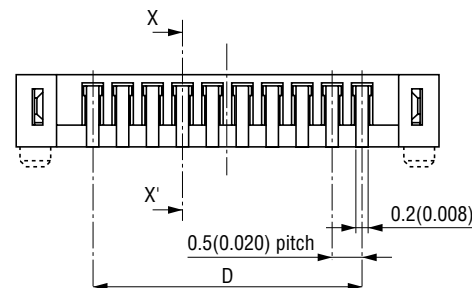
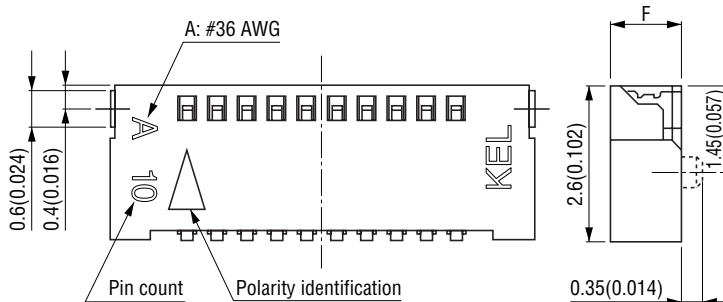
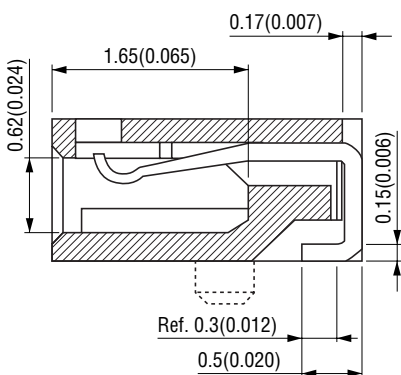
Receptacle (SMT Right Angle Type)



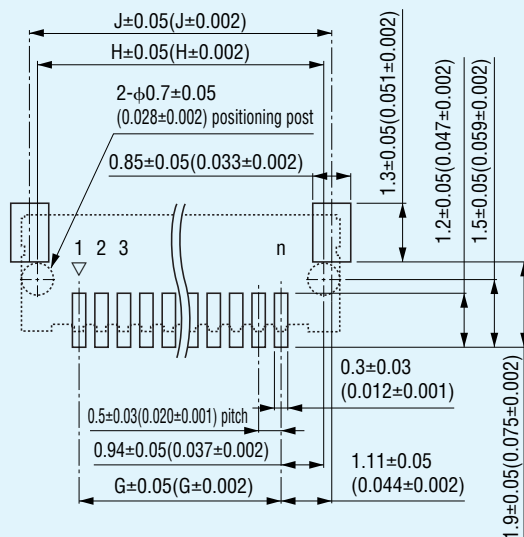
Unit:mm(inch)



X-X' Cross Section



Printed Circuit Board Layout (Component Side View)



▽=Polarity identification
"n" is number of contacts.

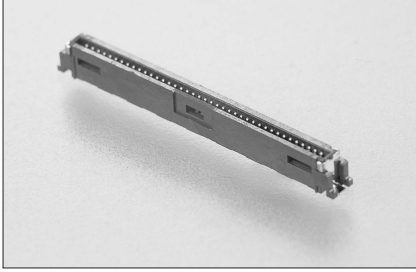
Part Number	No. of contacts	Number of packaging
DCC0□-□□L3-A	10, 20, 30, 40, 50	500
DCC0□-□□L3-B	10, 20, 30, 40, 50	1,000
DCC0□-□□L3-C	10, 20, 30	3,000
	40, 50	2,500

Product Table / Dimensions

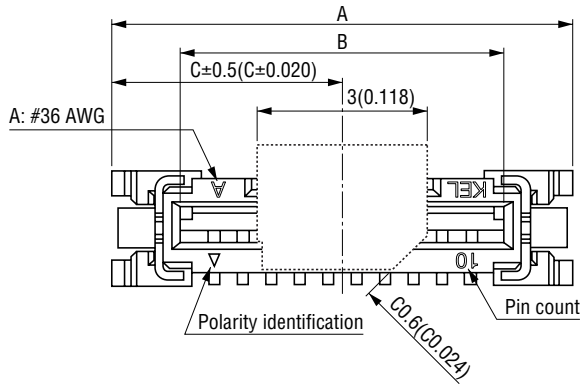
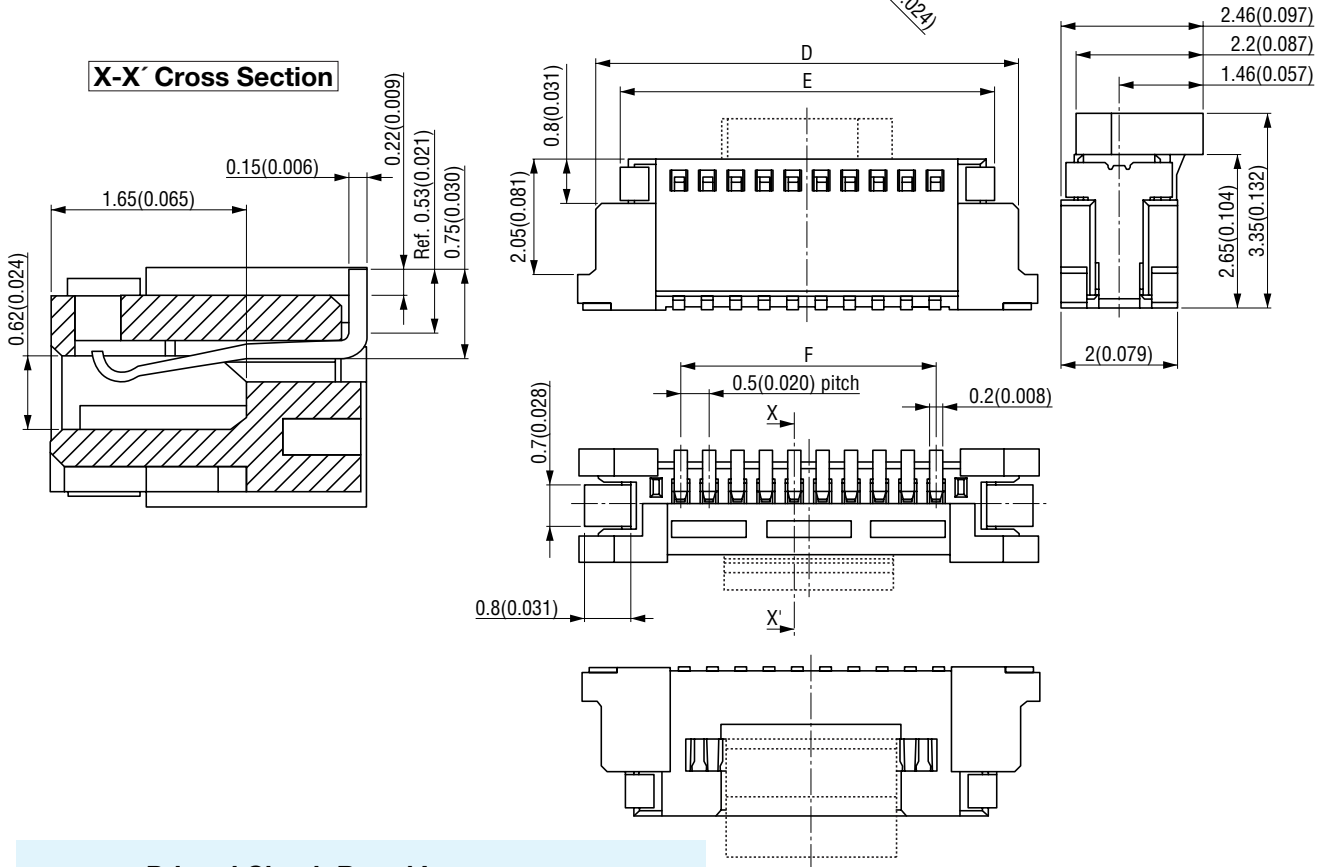
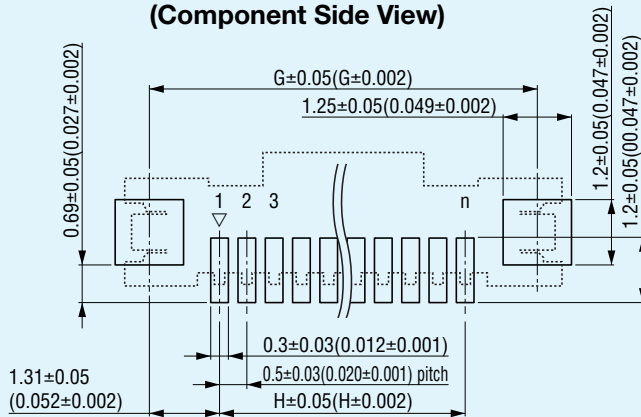
No. of contacts	Part Number	A	B	C	D	E	F	G	H	J
10	DCC0□-10L3-□	5.67 (0.223)	4.5 (0.177)	7.07 (0.278)	4.5 (0.177)	6.38 (0.251)	1.2 (0.047)	4.5 (0.177)	6.38 (0.251)	6.72 (0.265)
20	DCC0□-20L3-□	10.67 (0.420)	9.5 (0.374)	12.07 (0.475)	9.5 (0.374)	11.38 (0.448)	1.2 (0.047)	9.5 (0.374)	11.38 (0.448)	11.72 (0.461)
30	DCC0□-30L3-□	15.67 (0.617)	14.5 (0.571)	17.07 (0.672)	14.5 (0.571)	16.38 (0.645)	1.2 (0.047)	14.5 (0.571)	16.38 (0.645)	16.72 (0.658)
40	DCC0□-40L3-□	20.67 (0.814)	19.5 (0.768)	22.07 (0.869)	19.5 (0.768)	21.38 (0.842)	1.5 (0.059)	19.5 (0.768)	21.38 (0.842)	21.72 (0.855)
50	DCC0□-50L3-□	25.67 (1.011)	24.5 (0.965)	27.07 (1.066)	24.5 (0.965)	26.38 (1.039)	1.5 (0.059)	24.5 (0.965)	26.38 (1.039)	26.72 (1.052)

DCC00-□□S-□ (Receptacle, Straight)

Receptacle (SMT Straight Type)



Unit:mm(inch)


X-X' Cross Section

Printed Circuit Board Layout (Component Side View)


▽=Polarity identification
 "n" is number of contacts.

Packaging style
Embossed tape

Product Table

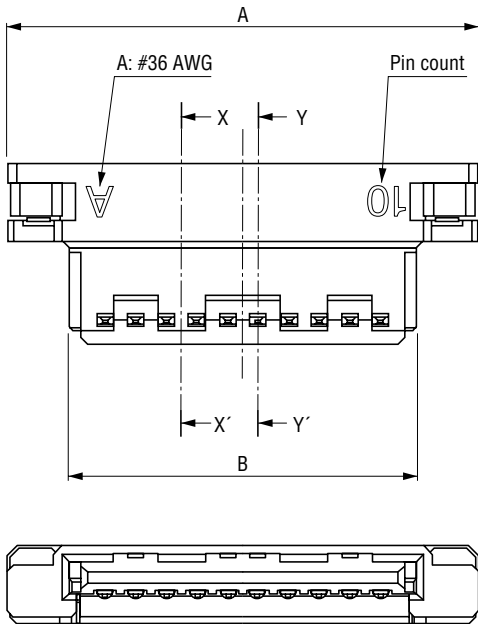
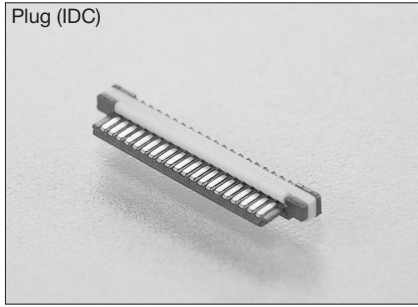
Part Number	Number of packaging
DCC00-□□S-A	500
DCC00-□□S-B	1,000
DCC00-□□S-C	1,500

Product Table / Dimensions

No. of contacts	Part Number	A	B	C	D	E	F	G	H
10	DCC00-10S-□	8.07 (0.318)	5.67 (0.223)	4.04 (0.159)	7.41 (0.292)	6.57 (0.259)	4.5 (0.177)	7.12 (0.280)	4.5 (0.177)
20	DCC00-20S-□	13.07 (0.515)	10.67 (0.420)	6.54 (0.257)	12.41 (0.489)	11.57 (0.456)	9.5 (0.374)	12.12 (0.477)	9.5 (0.374)
30	DCC00-30S-□	18.07 (0.711)	15.67 (0.617)	9.04 (0.356)	17.41 (0.685)	16.57 (0.652)	14.5 (0.571)	17.12 (0.674)	14.5 (0.571)
40	DCC00-40S-□	23.07 (0.908)	20.67 (0.814)	11.54 (0.454)	22.41 (0.882)	21.57 (0.849)	19.5 (0.768)	22.12 (0.871)	19.5 (0.768)
50	DCC00-50S-□	28.07 (1.105)	25.67 (1.011)	14.04 (0.553)	27.41 (1.079)	26.57 (1.046)	24.5 (0.965)	27.12 (1.068)	24.5 (0.965)

DCC20-□□SA (Plug, Straight, 10, 20 and 30 pins)

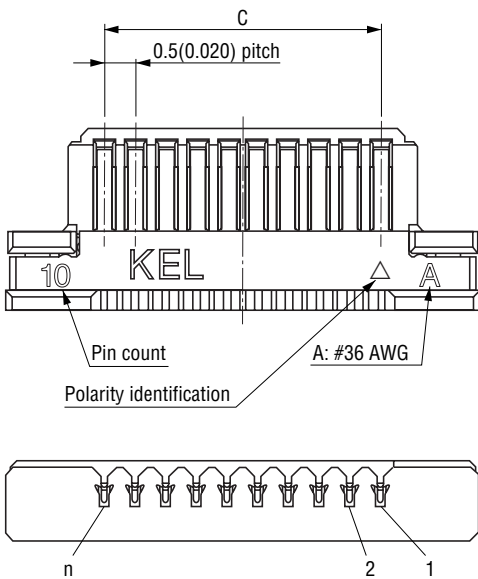
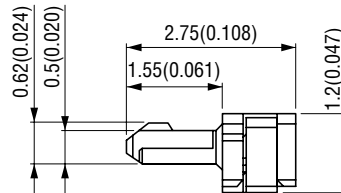
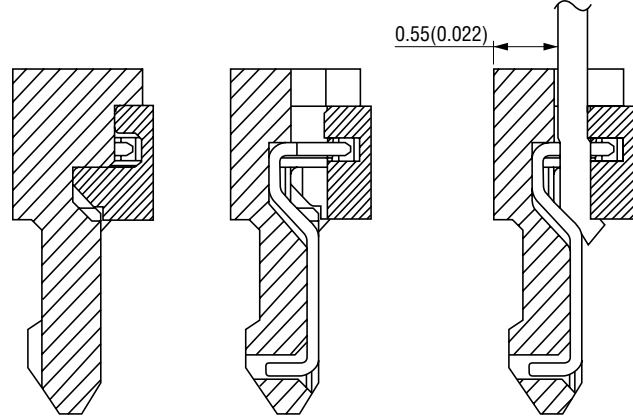
Unit:mm(inch)



X-X' Cross Section

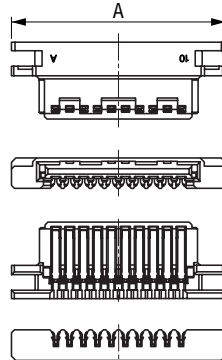
Y-Y' Cross Section

With Cable



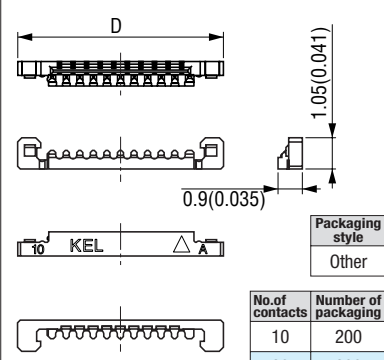
"n" is number of contacts.

DCC20-□□SA (Base)



No. of contacts	Number of packaging
10	160
20	120
30	100

DCC20-□□ (IDC Cover)



No. of contacts	Number of packaging
10	200
20	200
30	200

DCC20-□□SA(Base) and DCC20-□□SA(IDC Cover) are component parts of DCC20-□□SA.
*Please, number of packaging of "Cable side connector" by the same number as "Board side connector".

Product Table / Dimensions

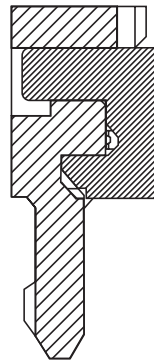
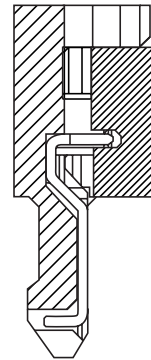
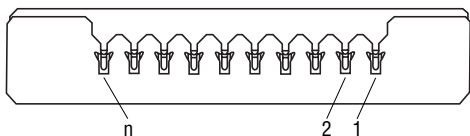
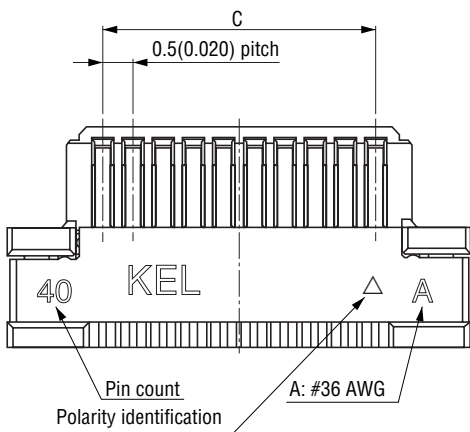
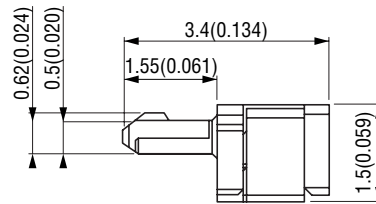
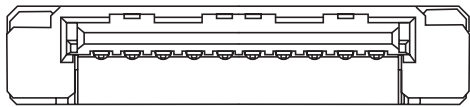
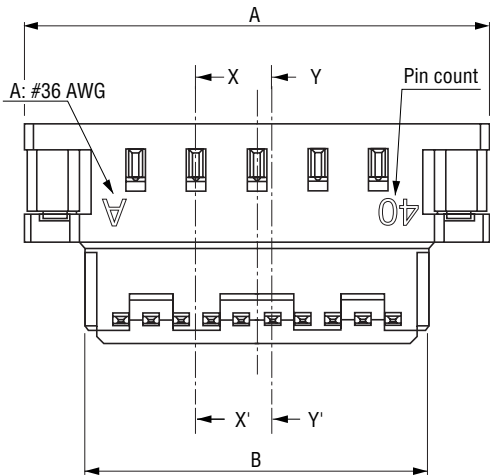
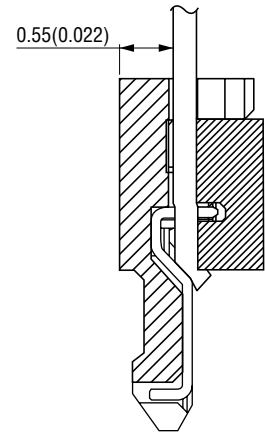
No. of contacts	Part Number	A	B	C	D
10	DCC20-10SA	7.67 (0.302)	5.67 (0.223)	4.5 (0.177)	7.57 (0.298)
20	DCC20-20SA	12.67 (0.499)	10.67 (0.420)	9.5 (0.374)	12.57 (0.495)
30	DCC20-30SA	17.67 (0.696)	15.67 (0.617)	14.5 (0.571)	17.57 (0.692)

DCC20-□□SA (Plug, Straight, 40 and 50 pins)

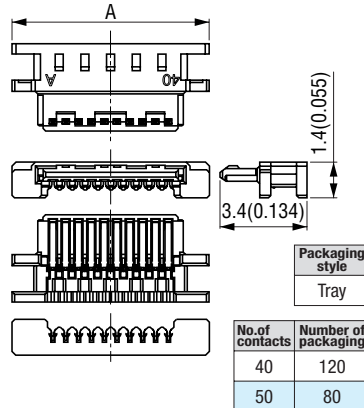
Plug (IDC)



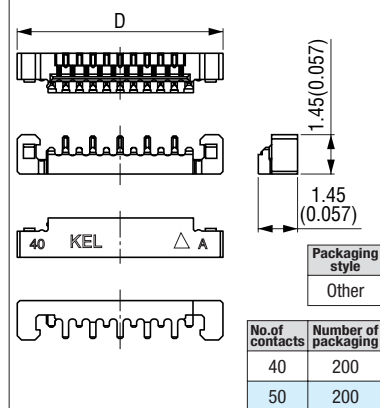
Unit:mm(inch)

X-X' Cross Section

Y-Y' Cross Section

With Cable


"n" is number of contacts.

DCC20-□□SA (Base)

 Packaging style
Tray

No. of contacts	Number of packaging
40	120
50	80

DCC20-□□ (IDC Cover)

 Packaging style
Other

No. of contacts	Number of packaging
40	200
50	200

DCC20-□□SA(Base) and DCC20-□□SA(IDC Cover) are component parts of DCC20-□□SA.
*Please, number of packaging of "Cable side connector" by the same number as "Board side connector".

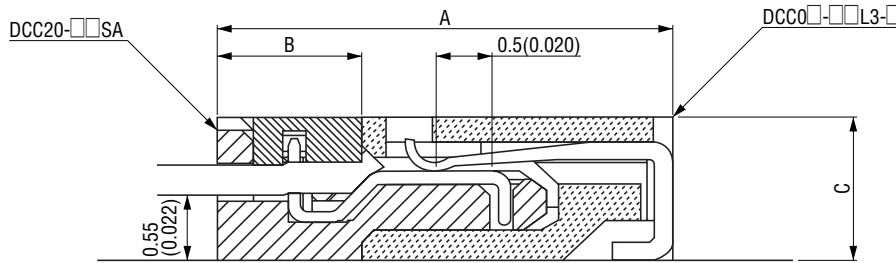
Product Table / Dimensions

No. of contacts	Part Number	A	B	C	D
40	DCC20-40SA	22.67 (0.893)	20.67 (0.814)	19.5 (0.768)	22.57 (0.889)
50	DCC20-50SA	27.67 (1.089)	25.67 (1.011)	24.5 (0.965)	27.57 (1.085)

Mating Variation

Mating Cross Section
Plug : DCC20-□□SA
Receptacle : DCC0□-□□L3-□

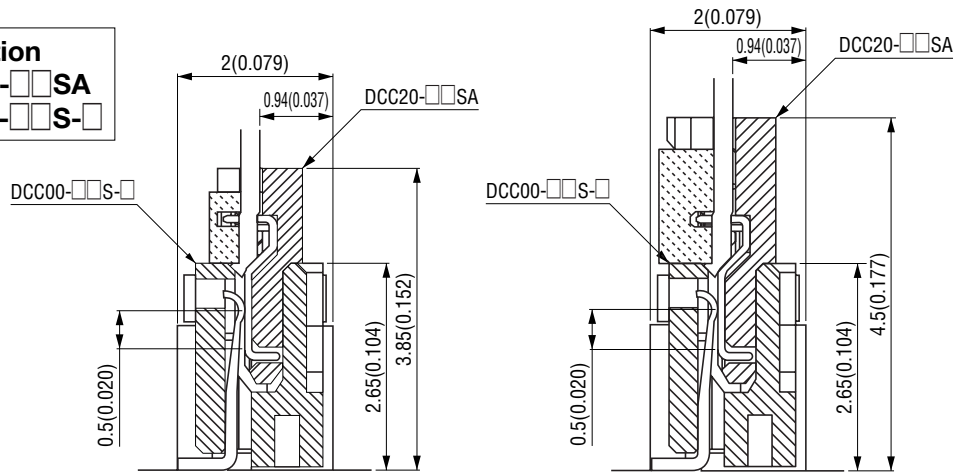
Unit:mm(inch)



■ Dimensions

No. of contacts	A	B	C
10	3.8 (0.150)	1.2 (0.047)	1.2 (0.047)
20	3.8 (0.150)	1.2 (0.047)	1.2 (0.047)
30	3.8 (0.150)	1.2 (0.047)	1.2 (0.047)
40	4.45 (0.175)	1.85 (0.073)	1.5 (0.059)
50	4.45 (0.175)	1.85 (0.073)	1.5 (0.059)

Mating Cross Section
Plug : DCC20-□□SA
Receptacle : DCC00-□□S-□



10, 20 and 30 pins

40 and 50 pins

Termination Equipment

- Special termination tool is available. Please contact your local sales office.



- DCC20 termination machine (Designed for AC100V)
 Part Number: DCC20-JIG
 *Seating Punch, Seating Base Module, Connector Support Module and Connector Guide are not including. Depends on your local area, required universal AC-AC convertor.



- Seating Punch
 Part Number
 DCC20-PNC(10-30P)
 : for 10, 20 and 30 pins.
 DCC20-PNC(31-50P)
 : for 40 and 50 pins.



- Seating Base Module
 Part Number
 DCC20-PAT

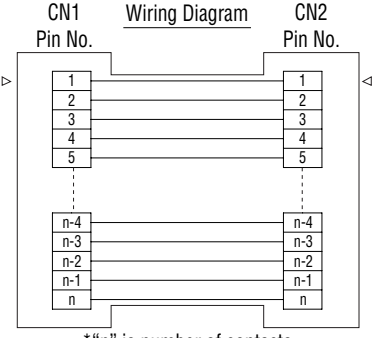
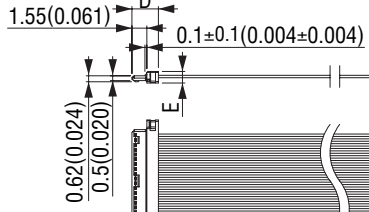
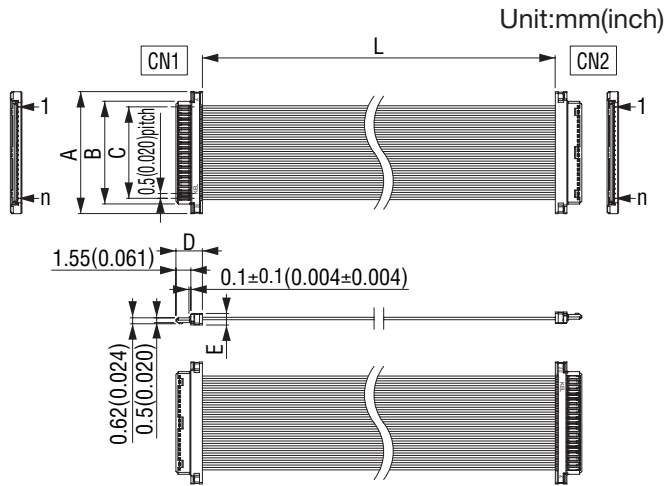


- Connector Support Module
 Part Number
 DCC20-UKE(10-30P)
 : for 10, 20 and 30 pins
 DCC20-UKE(31-50P)
 : for 40 and 50 pins



- Connector Guide
 Part Number
 DCC20-GID(10P): for 10 pin
 DCC20-GID(20P): for 20 pin
 DCC20-GID(30P): for 30 pin
 DCC20-GID(40P): for 40 pin
 DCC20-GID(50P): for 50 pin

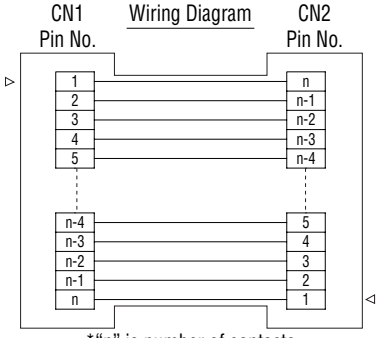
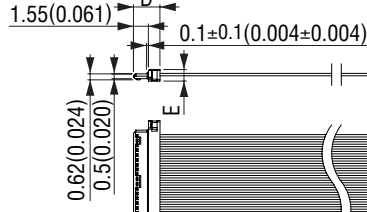
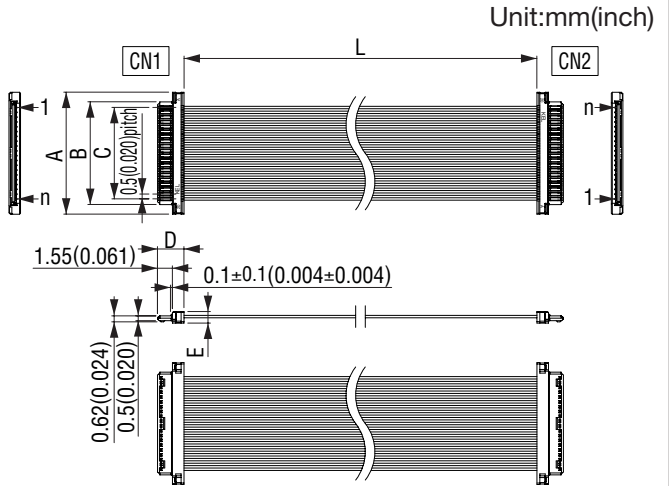
CABLE ASSEMBLY STYLE



**"n" is number of contacts
▽=Polarity identification

Product Table / Dimensions

No. of contacts	A	B	C	D	E
10	7.67 (0.302)	5.67 (0.223)	4.5 (0.177)	2.75 (0.108)	1.2 (0.047)
20	12.67 (0.499)	10.67 (0.420)	9.5 (0.374)	2.75 (0.108)	1.2 (0.047)
30	17.67 (0.696)	15.67 (0.617)	14.5 (0.571)	2.75 (0.108)	1.2 (0.047)
40	22.67 (0.893)	20.67 (0.814)	19.5 (0.768)	3.40 (0.134)	1.5 (0.059)
50	27.67 (1.089)	25.67 (1.011)	24.5 (0.965)	3.40 (0.134)	1.5 (0.059)



**"n" is number of contacts
▽=Polarity identification

Product Table / Dimensions

No. of contacts	A	B	C	D	E
10	7.67 (0.302)	5.67 (0.223)	4.5 (0.177)	2.75 (0.108)	1.2 (0.047)
20	12.67 (0.499)	10.67 (0.420)	9.5 (0.374)	2.75 (0.108)	1.2 (0.047)
30	17.67 (0.696)	15.67 (0.617)	14.5 (0.571)	2.75 (0.108)	1.2 (0.047)
40	22.67 (0.893)	20.67 (0.814)	19.5 (0.768)	3.40 (0.134)	1.5 (0.059)
50	27.67 (1.089)	25.67 (1.011)	24.5 (0.965)	3.40 (0.134)	1.5 (0.059)

*Please confirm order codes to the sales person in charge, before making on order.
*Specifications and dimensions are subject to change without notice.