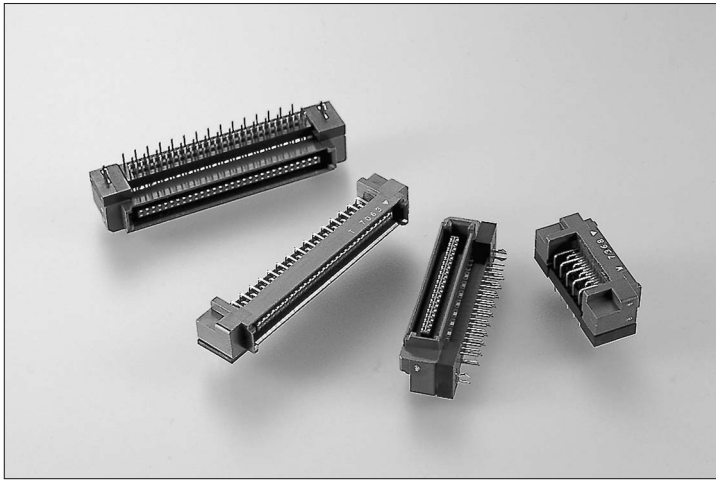


**SELECTIVE MATING HEIGHT TYPE
50mil(1.27mm) PITCH 2 PIECE CONNECTOR**

8911FL SERIES





FEATURES

- Selective 6 mating heights for removable HDD, FDD, CD-ROM devices
- 3 rows of right angle terminals conserve board space
- Guide pins assure smooth mating and un-mating
- Mating process is reliable and self-aligning
- Low insertion and withdrawal force
- Insulator protects the contacts from damage or breakage
- PPS (Insulator) and 46 Nylon (Alignment plate) offer high temperature resistance
- 7 sizes from 20 to 100 pins
- Audible "Click" assures users of complete mating
- RoHS compliance

SPECIFICATIONS

- Insulator : Glass-filled PPS (UL 94V-0), Brown
Alignment plate : Glass-filled 46 Nylon (UL 94V-0), Black
- Contact material : Copper alloy
- Plating : Contact area ; 0.05 μ m min. Gold over Nickel
Terminal area ; 0.03 μ m min. Gold over Nickel
- Current rating : 0.5A per contact
- Contact resistance : 40m Ω max.
- Dielectric withstanding voltage : 650V AC for 1 minute
- Insulation resistance : 1,000M Ω min. at 500V DC
- Operating temperature : -55 $^{\circ}$ C to +85 $^{\circ}$ C
- Total insertion force:
(Examples) 1.9kg max. / 20 pin, 3.8kg max. / 40 pin,
5.7kg max. / 60 pin, 9.5kg max. / 100 pin
- Total withdrawal force:
(Examples) 0.3kg min. / 20 pin, 0.6kg min. / 40 pin,
0.9kg min. / 60 pin, 1.5kg min. / 100 pin

ORDER CODE

8911-FL-F

- **F** : RoHS Compliance
- Standoff height
T : 1.0mm (0.039")
U : 1.5mm (0.059")
V : 2.0mm (0.079")
W : 2.5mm (0.098")
Y : 3.0mm (0.118")
Z : 4.0mm (0.157")
- Plating of contact area
Omit : Au 0.05 μ m (Standard)
- Contact tail style
FL : Right angle, Selective mating height
- Number of contacts
020 : 20 pin **060** : 60 pin
030 : 30 pin **080** : 80 pin
040 : 40 pin **100** : 100 pin
050 : 50 pin
- Series name
8911 : Plug
 With flanges and hooks

PRINTED CIRCUIT BOARD LAYOUT (Component side view)

Unit:mm(inch)

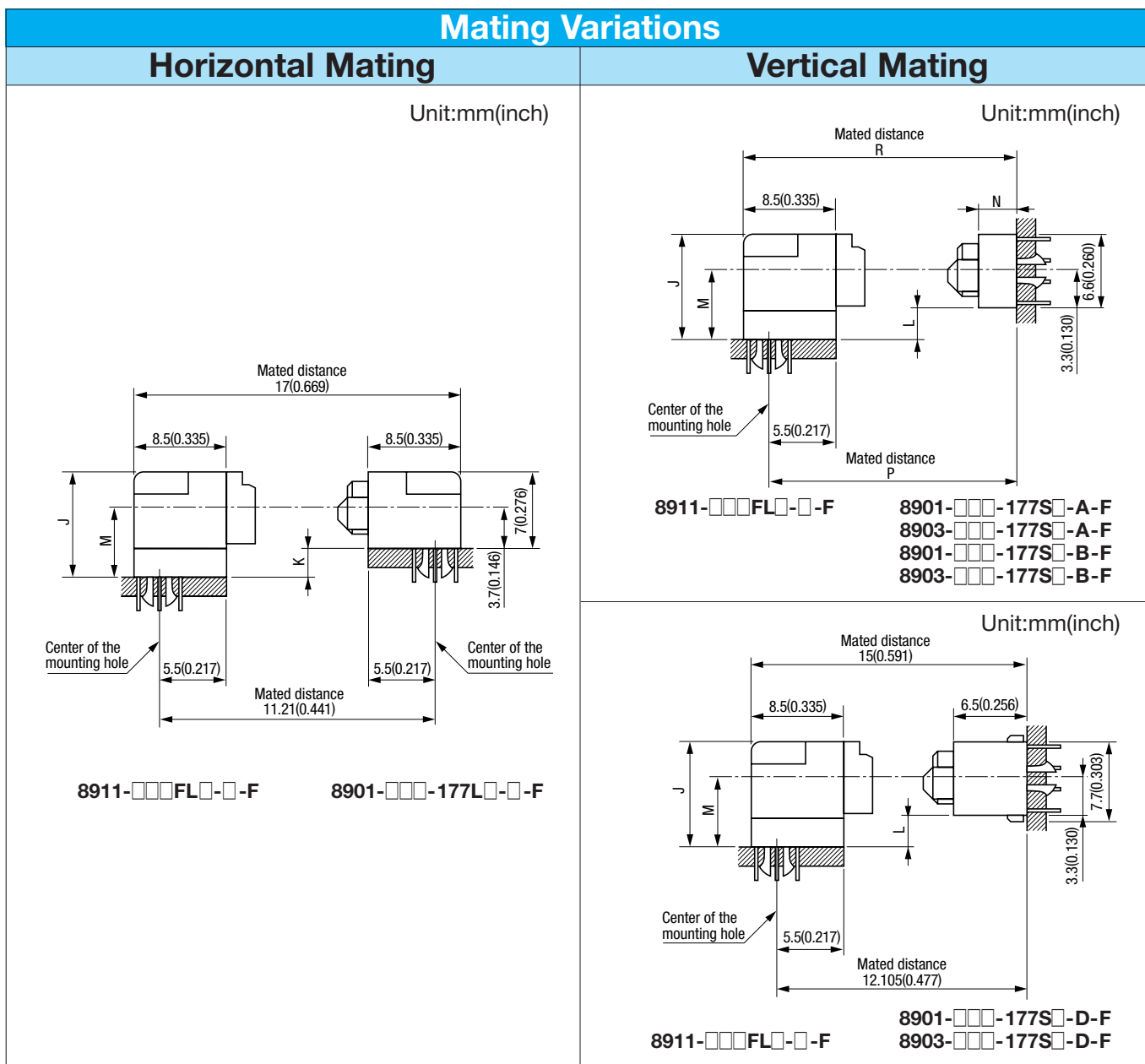
For 30,50 contacts

For 20,40,60,80,100 contacts

▼=Polarity identification
 Recommended PCB Thickness $t=1.6\pm 0.19(0.063\pm 0.007)$
 "n" is number of contacts.

Dimensions

No. of contacts	20	30	40	50	60	80	100
A	11.43 (0.45)	17.78 (0.70)	24.13 (0.95)	30.48 (1.20)	36.83 (1.45)	49.53 (1.95)	62.23 (2.45)
B	20.32 (0.80)	26.67 (1.05)	33.02 (1.30)	39.37 (1.55)	45.72 (1.80)	58.42 (2.30)	71.12 (2.80)



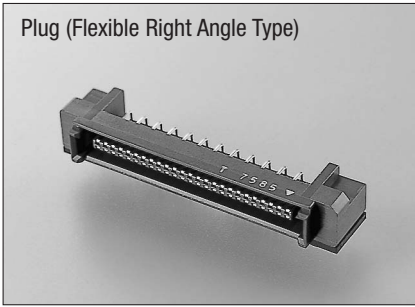
■Product Table / Dimensions

Part Number		8911-□□□FL□- T-F	8911-□□□FL□- U-F	8911-□□□FL□- V-F	8911-□□□FL□- W-F	8911-□□□FL□- Y-F	8911-□□□FL□- Z-F
8901-□□□-177L□- F	J	8.0(0.315)	8.5(0.335)	9.0(0.354)	9.5(0.374)	10.0(0.394)	11.0(0.433)
	K	1.0(0.039)	1.5(0.059)	2.0(0.079)	2.5(0.098)	3.0(0.118)	4.0(0.157)
	M	4.7(0.185)	5.2(0.205)	5.7(0.224)	6.2(0.244)	6.7(0.264)	7.7(0.303)
8901-□□□-177S□- A-F	J	8.0(0.315)	8.5(0.335)	9.0(0.354)	9.5(0.374)	10.0(0.394)	11.0(0.433)
	L	1.4(0.055)	1.9(0.075)	2.4(0.094)	2.9(0.114)	3.4(0.134)	4.4(0.173)
	M	4.7(0.185)	5.2(0.205)	5.7(0.224)	6.2(0.244)	6.7(0.264)	7.7(0.303)
8903-□□□-177S□- A-F	N	3.5(0.138)	3.5(0.138)	3.5(0.138)	3.5(0.138)	3.5(0.138)	3.5(0.138)
	P	9.105(0.358)	9.105(0.358)	9.105(0.358)	9.105(0.358)	9.105(0.358)	9.105(0.358)
	R	12.0(0.472)	12.0(0.472)	12.0(0.472)	12.0(0.472)	12.0(0.472)	12.0(0.472)
8901-□□□-177S□- B-F	J	8.0(0.315)	8.5(0.335)	9.0(0.354)	9.5(0.374)	10.0(0.394)	11.0(0.433)
	L	1.4(0.055)	1.9(0.075)	2.4(0.094)	2.9(0.114)	3.4(0.134)	4.4(0.173)
	M	4.7(0.185)	5.2(0.205)	5.7(0.224)	6.2(0.244)	6.7(0.264)	7.7(0.303)
8903-□□□-177S□- B-F	N	4.5(0.177)	4.5(0.177)	4.5(0.177)	4.5(0.177)	4.5(0.177)	4.5(0.177)
	P	10.105(0.398)	10.105(0.398)	10.105(0.398)	10.105(0.398)	10.105(0.398)	10.105(0.398)
	R	13.0(0.512)	13.0(0.512)	13.0(0.512)	13.0(0.512)	13.0(0.512)	13.0(0.512)
8901-□□□-177S□- D-F	J	8.0(0.315)	8.5(0.335)	9.0(0.354)	9.5(0.374)	10.0(0.394)	11.0(0.433)
	L	1.4(0.055)	1.9(0.075)	2.4(0.094)	2.9(0.114)	3.4(0.134)	4.4(0.173)
	M	4.7(0.185)	5.2(0.205)	5.7(0.224)	6.2(0.244)	6.7(0.264)	7.7(0.303)
8903-□□□-177S□- D-F	N	4.5(0.177)	4.5(0.177)	4.5(0.177)	4.5(0.177)	4.5(0.177)	4.5(0.177)
	P	10.105(0.398)	10.105(0.398)	10.105(0.398)	10.105(0.398)	10.105(0.398)	10.105(0.398)
	R	13.0(0.512)	13.0(0.512)	13.0(0.512)	13.0(0.512)	13.0(0.512)	13.0(0.512)

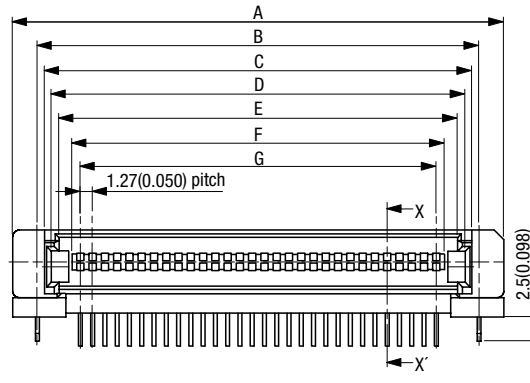
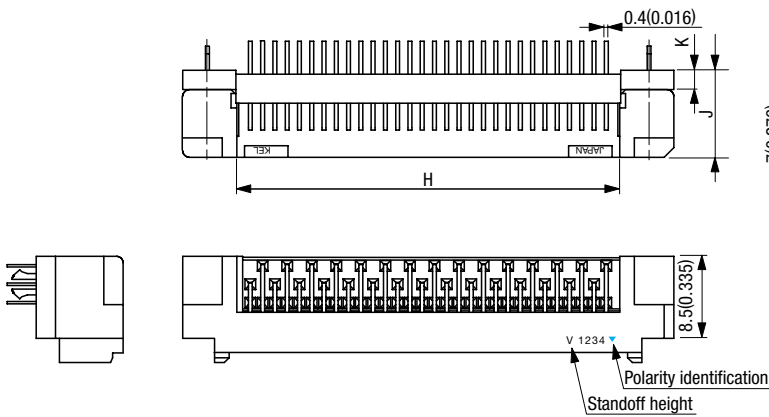
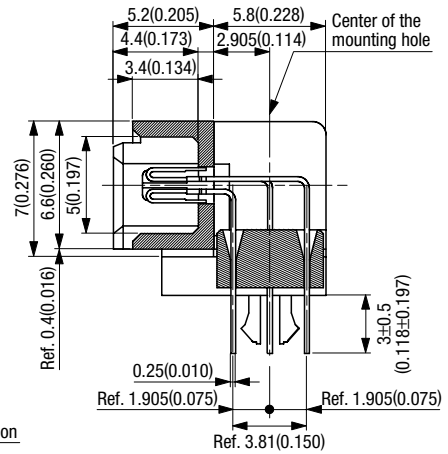
8911-□□□FL□-□-F (Plug, With flanges and hooks)

Unit:mm(inch)

Plug (Flexible Right Angle Type)



X-X' Cross Section



■ Product Table / Connector Height

Part Number	J	K
8911-□□□FL□-T-F	8.0 (0.315)	1.0 (0.039)
8911-□□□FL□-U-F	8.5 (0.335)	1.5 (0.059)
8911-□□□FL□-V-F	9.0 (0.354)	2.0 (0.079)
8911-□□□FL□-W-F	9.5 (0.374)	2.5 (0.098)
8911-□□□FL□-Y-F	10.0 (0.394)	3.0 (0.118)
8911-□□□FL□-Z-F	11.0 (0.433)	4.0 (0.157)

Packaging style
Pipe

■ Product Table / Dimensions

No. of contacts	Part Number	A	B	C	D	E	F	G	H	Number of packaging
20	8911-020-FL□-□-F	25.43 (1.001)	20.32 (0.800)	18.83 (0.741)	17.43 (0.686)	15.83 (0.623)	13.13 (0.517)	11.43 (0.450)	14.23 (0.560)	20
30	8911-030-FL□-□-F	31.78 (1.251)	26.67 (1.050)	25.18 (0.991)	23.78 (0.936)	22.18 (0.873)	19.48 (0.767)	17.78 (0.700)	20.58 (0.810)	16
40	8911-040-FL□-□-F	38.13 (1.501)	33.02 (1.300)	31.53 (1.241)	30.13 (1.186)	28.53 (1.123)	25.83 (1.017)	24.13 (0.950)	26.93 (1.060)	13
50	8911-050-FL□-□-F	44.48 (1.751)	39.37 (1.550)	37.88 (1.491)	36.48 (1.436)	34.88 (1.373)	32.18 (1.267)	30.48 (1.200)	33.28 (1.310)	11
60	8911-060-FL□-□-F	50.83 (2.001)	45.72 (1.800)	44.23 (1.741)	42.83 (1.686)	41.23 (1.623)	38.53 (1.517)	36.83 (1.450)	39.63 (1.560)	10
80	8911-080-FL□-□-F	63.53 (2.501)	58.42 (2.300)	56.93 (2.241)	55.53 (2.186)	53.93 (2.123)	51.23 (2.017)	49.53 (1.950)	52.33 (2.060)	8
100	8911-100-FL□-□-F	76.23 (3.001)	71.12 (2.800)	69.63 (2.741)	68.23 (2.686)	66.63 (2.623)	63.93 (2.517)	62.23 (2.450)	65.03 (2.560)	6

Specifications and dimensions are subject to change without notice.