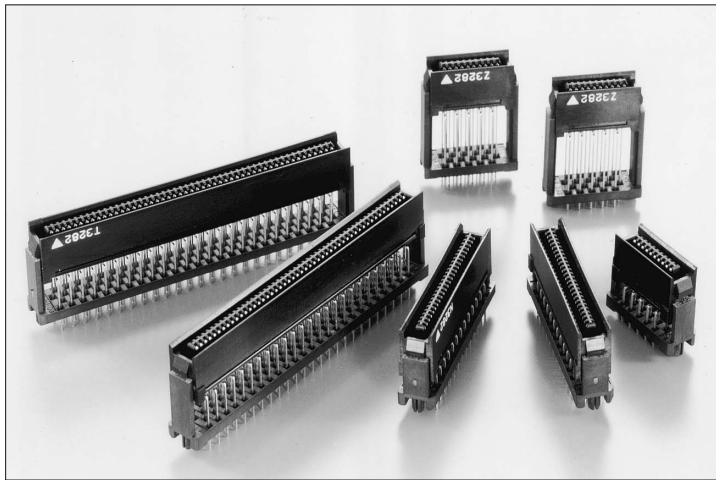


FLEXIBLE STACK TYPE  
50mil(1.27mm) PITCH 2 PIECE CONNECTOR

# 8832E-FS SERIES





### FEATURES

- Standard stacking heights are 20, 24 and 30mm (0.79", 0.95", 1.18")
- Other stack heights from 18mm (0.70") to 30mm (1.18") are available
- 8832E Series will mate with 8800/8801/8802 Series
- Alignment features designed into connector on each end
- Features the KEL patented 2 mating points per contact design
- RoHS compliance

Note) \*Does not mate with 8822E/8825E

\*Please consult our local sales office about non-standard stacking heights

### SPECIFICATIONS

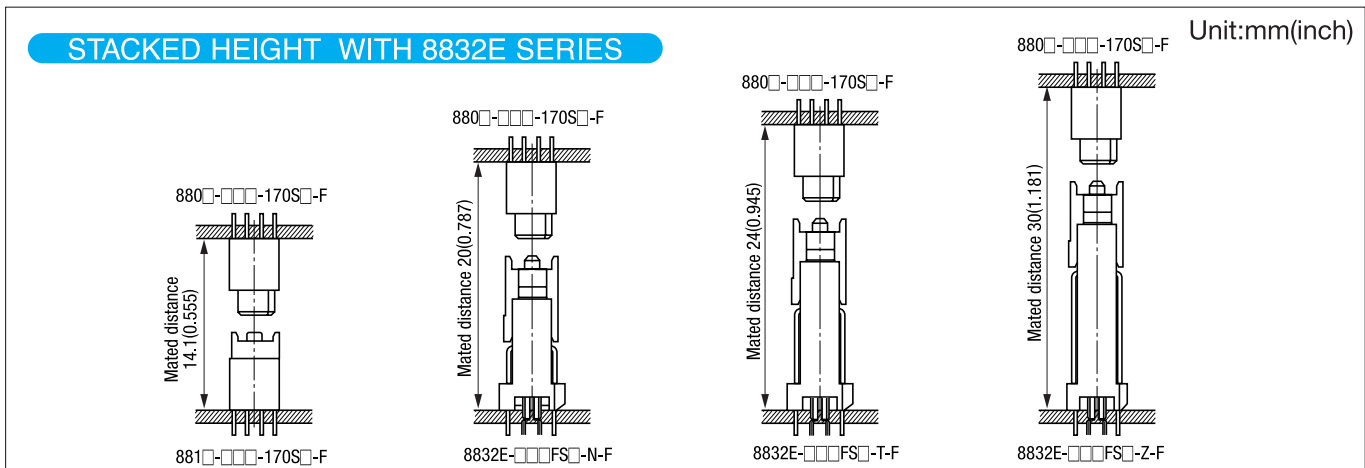
- Insulator : Glass-filled Nylon 66 (UL 94V-0), Black  
Spacer with alignment plate  
Glass-filled Nylon 46 (UL 94V-0), Black
- Contact : Phosphor Bronze
- Plating :  
Contact area ; Gold over Nickel  
(1) Standard : 0.05 $\mu$ m min. Gold  
(2) Upon request : 0.25 $\mu$ m min. Gold  
Terminal area ; 2 $\mu$ m min. Tin copper over Nickel
- Current rating : 0.5A per contact
- Contact resistance : 25m $\Omega$  max. (Excluding conductor resistance)
- Dielectric withstanding voltage : 650V AC for 1 minute
- Insulation resistance : 1,000M $\Omega$  min. at 500V DC
- Operating temperature : -55°C to +85°C
- Insertion force (Typical example):  
1.9kg max. / 20 pin    3.8kg max. / 40 pin  
5.7kg max. / 60 pin    9.5kg max. / 100 pin
- Withdrawal force (Typical example):  
0.3kg min. / 20 pin    0.8kg min. / 40 pin  
1.2kg min. / 60 pin    2.0kg min. / 100 pin

\* Please consult our local sales office about 0.25 $\mu$ m (10 $\mu'$ ) Gold Plating. (Orders require min. quantity)

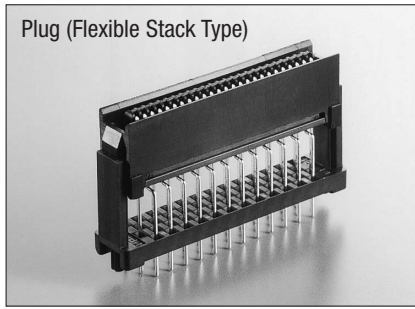
#### ORDER CODE

8832E-    **FS**   **-F**

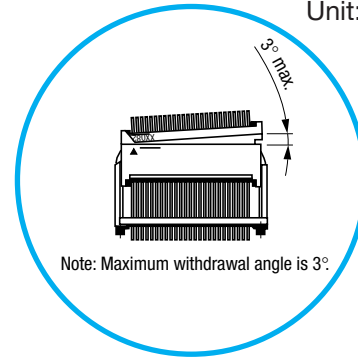
- **F** : RoHS Compliance
- Stacked height  
N : For mating height of 20mm  
T : For mating height of 24mm  
Z : For mating height of 30mm
- Plating of contact area  
Omit : Au 0.05 $\mu$ m (Standard)  
D : Au 0.25 $\mu$ m (Upon request)
- Contact tail style  
FS : Flexible stacking
- Number of contacts  
020 : 20 pin  
030 : 30 pin  
040 : 40 pin  
050 : 50 pin  
060 : 60 pin  
080 : 80 pin  
100 : 100 pin
- Series name  
8832E : Plug, With positioning posts



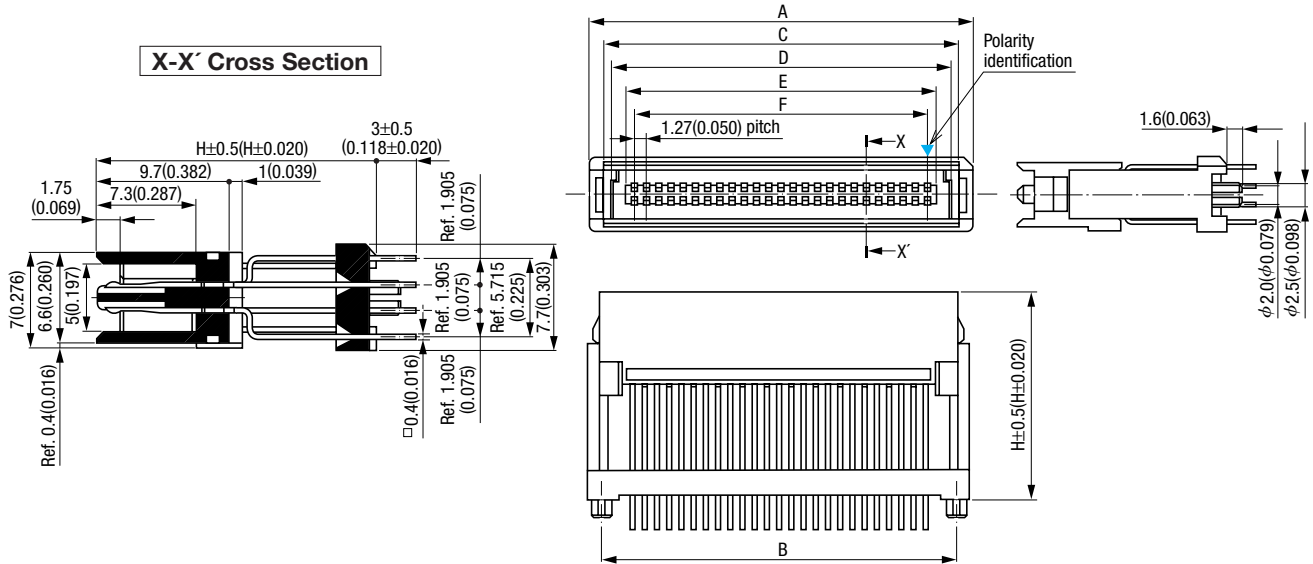
8832E-□□□ FS□-□-F (Plug)



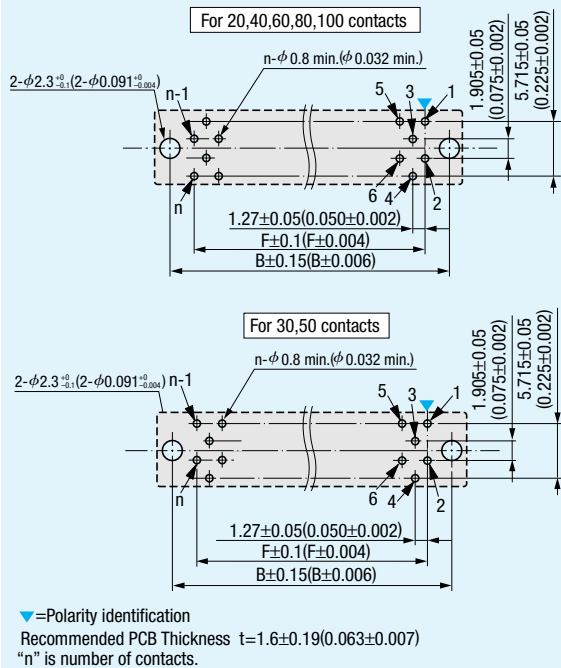
Unit:mm(inch)



X-X' Cross Section



Printed Circuit Board Layout (Component Side View)



Stack height

Part Number	Stack height	H
8832E-□□□ FS□-N-F	20 (0.787)	16.6 (0.654)
8832E-□□□ FS□-T-F	24 (0.945)	20.6 (0.811)
8832E-□□□ FS□-Z-F	30 (1.181)	26.6 (1.047)

Packaging style
Pipe

Product Table / Dimensions

No. of contacts	Part Number	A	B	C	D	E	F	Number of packaging
20	8832E-020 FS□-□-F	20.63 (0.812)	17.78 (0.700)	17.83 (0.702)	15.83 (0.623)	13.13 (0.517)	11.43 (0.450)	24
30	8832E-030 FS□-□-F	26.98 (1.062)	24.13 (0.950)	24.18 (0.952)	22.18 (0.873)	19.48 (0.767)	17.78 (0.700)	18
40	8832E-040 FS□-□-F	33.33 (1.312)	30.48 (1.200)	30.53 (1.202)	28.53 (1.123)	25.83 (1.017)	24.13 (0.950)	15
50	8832E-050 FS□-□-F	39.68 (1.562)	36.83 (1.450)	36.88 (1.452)	34.88 (1.373)	32.18 (1.267)	30.48 (1.200)	12
60	8832E-060 FS□-□-F	46.03 (1.812)	43.18 (1.700)	43.23 (1.702)	41.23 (1.623)	38.53 (1.517)	36.83 (1.450)	11
80	8832E-080 FS□-□-F	58.73 (2.312)	55.88 (2.200)	55.93 (2.202)	53.93 (2.123)	51.23 (2.017)	49.53 (1.950)	8
100	8832E-100 FS□-□-F	71.43 (2.812)	68.58 (2.700)	68.63 (2.702)	66.63 (2.623)	63.93 (2.517)	62.23 (2.450)	7

Specifications and dimensions are subject to change without notice.