

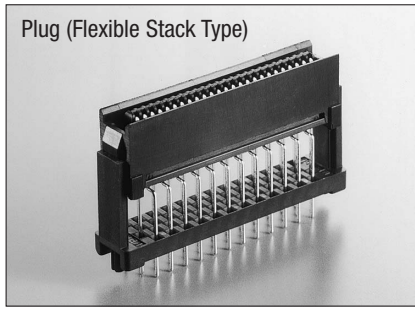
FLEXIBLE STACK TYPE  
50mil(1.27mm) PITCH 2 PIECE CONNECTOR

# 8832E-FS SERIES

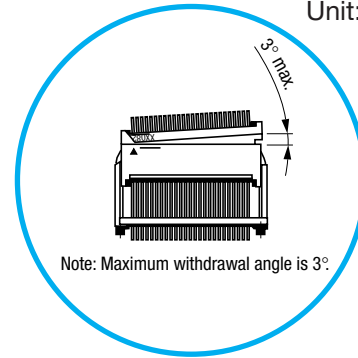




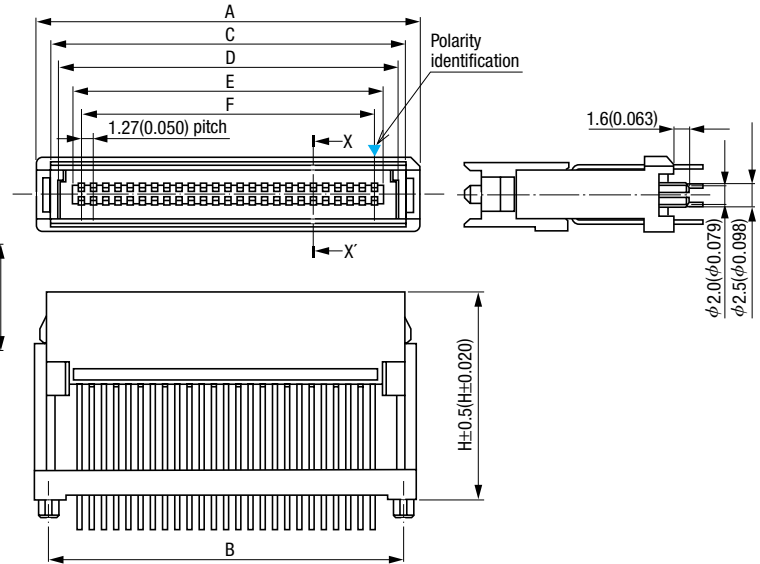
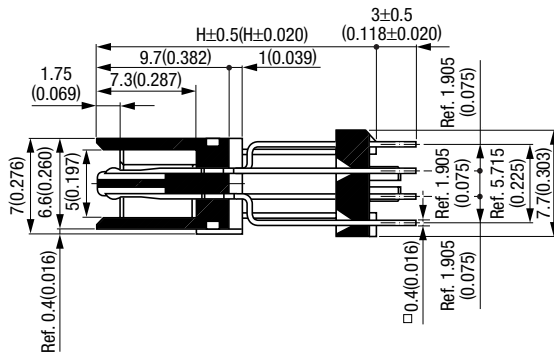
8832E-□□□ FS□-□-F (Plug)



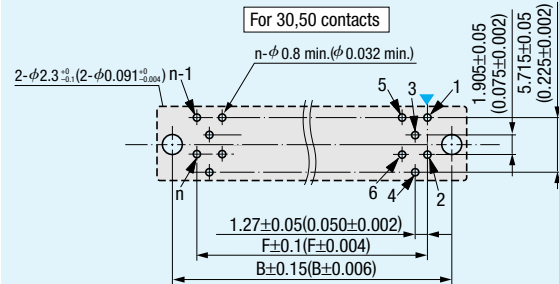
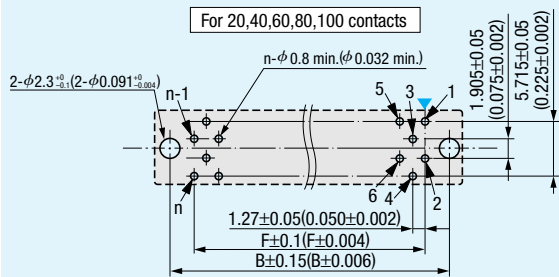
Unit:mm(inch)



X-X' Cross Section



Printed Circuit Board Layout (Component Side View)



▼=Polarity identification  
 Recommended PCB Thickness t=1.6±0.19(0.063±0.007)  
 "n" is number of contacts.

Stack height

Part Number	Stack height	H
8832E-□□□ FS□-N-F	20 (0.787)	16.6 (0.654)
8832E-□□□ FS□-T-F	24 (0.945)	20.6 (0.811)
8832E-□□□ FS□-Z-F	30 (1.181)	26.6 (1.047)

Packaging style  
Pipe

Product Table / Dimensions

No. of contacts	Part Number	A	B	C	D	E	F	Number of packaging
20	8832E-020 FS□-□-F	20.63 (0.812)	17.78 (0.700)	17.83 (0.702)	15.83 (0.623)	13.13 (0.517)	11.43 (0.450)	24
30	8832E-030 FS□-□-F	26.98 (1.062)	24.13 (0.950)	24.18 (0.952)	22.18 (0.873)	19.48 (0.767)	17.78 (0.700)	18
40	8832E-040 FS□-□-F	33.33 (1.312)	30.48 (1.200)	30.53 (1.202)	28.53 (1.123)	25.83 (1.017)	24.13 (0.950)	15
50	8832E-050 FS□-□-F	39.68 (1.562)	36.83 (1.450)	36.88 (1.452)	34.88 (1.373)	32.18 (1.267)	30.48 (1.200)	12
60	8832E-060 FS□-□-F	46.03 (1.812)	43.18 (1.700)	43.23 (1.702)	41.23 (1.623)	38.53 (1.517)	36.83 (1.450)	11
80	8832E-080 FS□-□-F	58.73 (2.312)	55.88 (2.200)	55.93 (2.202)	53.93 (2.123)	51.23 (2.017)	49.53 (1.950)	8
100	8832E-100 FS□-□-F	71.43 (2.812)	68.58 (2.700)	68.63 (2.702)	66.63 (2.623)	63.93 (2.517)	62.23 (2.450)	7