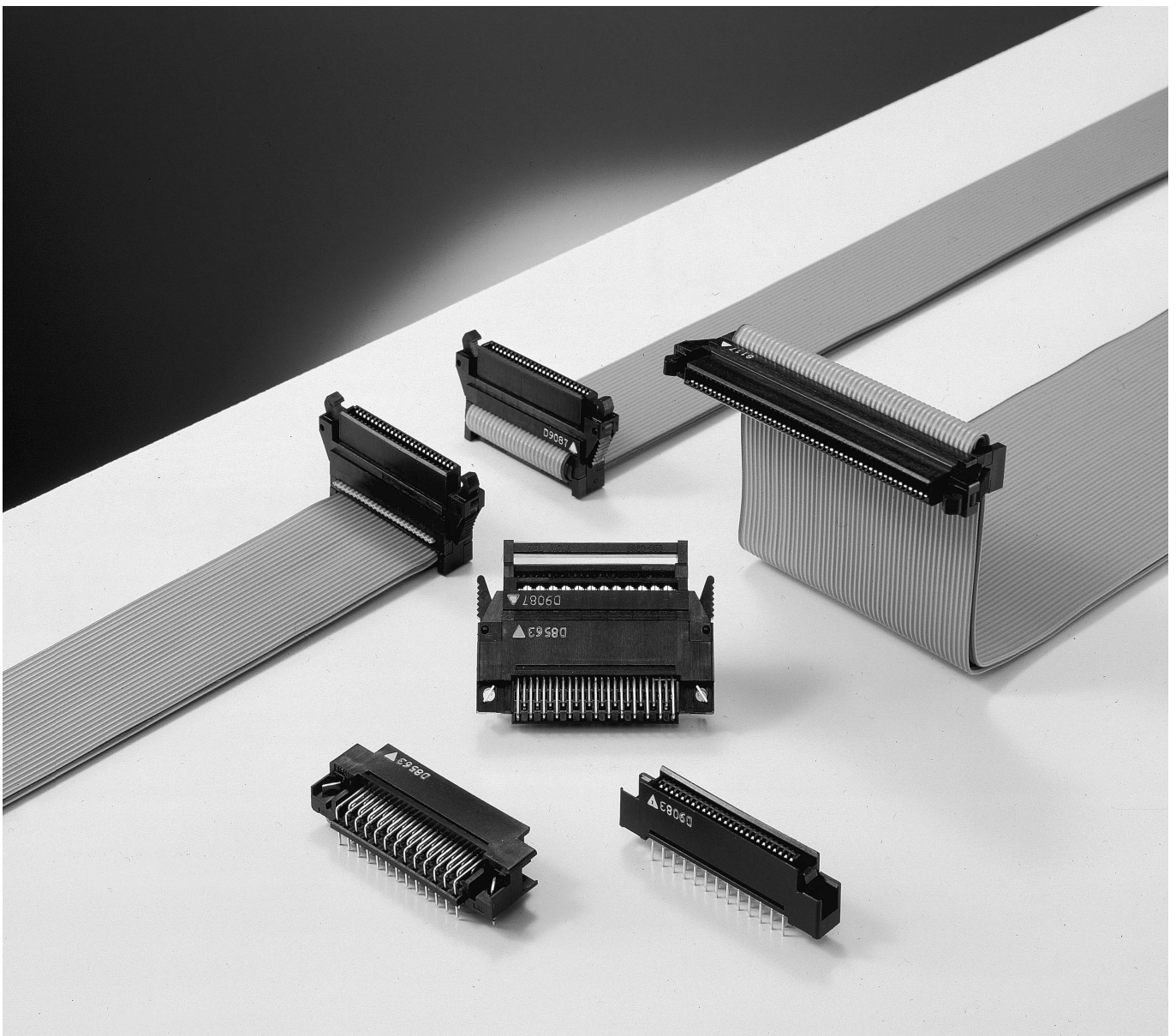
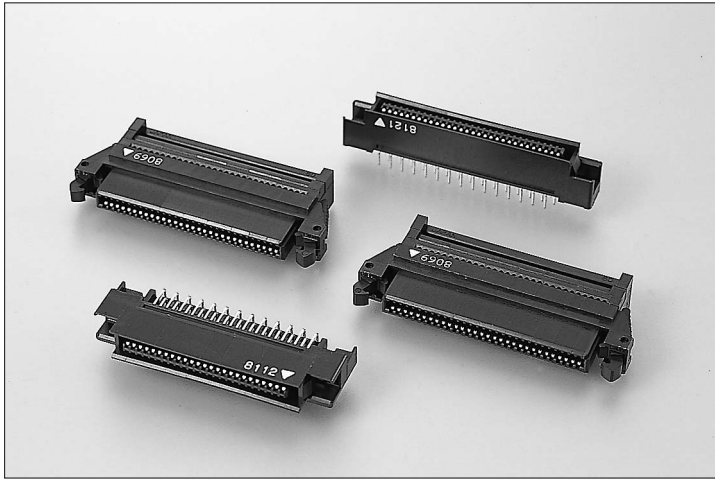


**IDC for 50mil(1.27mm) Falt Cable with
One-touch Locking Ejector System
50mil(1.27mm) PITCH 2 PIECE CONNECTOR**

8822E SERIES





FEATURES

- IDC for 1.27mm (50mil) flat cable (#28 AWG)
- Highly reliable straight beam contact design
- Low insertion and withdrawal force
- Easy to operate One-Touch locking ejector system
- Can be used with MIL-STD type IDC connectors (KEL 6100, 6200, 6200S, 6230 Series for example)
- 13 sizes, from 20 to 100 pins
- RoHS compliance

ORDER CODE

88 E - - - - F

- **F** : RoHS Compliance
- Plating of contact area
 - Omit : Au 0.05 μ m (Standard)
 - D : Au 0.25 μ m (Upon request)
- Contact tail style (Plug only)
 - S : Straight
 - L : Right angle
- Contact name
 - 170 : Plug
 - 171 : Receptacle
- Number of contacts

020 : 20 pin	026 : 26 pin
030 : 30 pin	032 : 32 pin
034 : 34 pin	036 : 36 pin
040 : 40 pin	050 : 50 pin
052 : 52 pin	060 : 60 pin
068 : 68 pin	080 : 80 pin
- Series name
 - 100 : 100 pin
 - 8822E : Receptacle
 - 8830E : Plug, Without hooks
 - 8831E : Plug, With hooks (Right angle only)

SPECIFICATIONS

- Insulator : Glass-filled 66 Nylon (UL 94V-0), Black
- Contact : Copper alloy
- Plating :
 - Contact area : Gold over Nickel
 - (1) Standard : 0.05 μ m min. Gold
 - (2) Upon request : 0.25 μ m min. Gold
 - IDC area : 0.05 μ m min. Gold over Nickel (8822E)
 - Terminal area : 2 μ m min. Tin copper over Nickel (8830E/8831E)
- Current rating : 0.5A per contact
- Contact resistance : 30m Ω max.
- Dielectric withstanding voltage : 650V AC for 1 minute
- Insulation resistance : 1,000M Ω min. at 500V DC
- Operating temperature : -55°C to +85°C
- Recommended cable : #28 AWG (7/0.127), 1.27mm (50mil) pitch, Flat ribbon cable

8822E Series locking ejector system

The 8822E Series locking ejector system is a reversal of the MIL-STD design (KEL 6200 Series), the locking ejectors are integral to the cable connector. The ejectors are automatically locked by insertion in the Plug connector like the MIL-STD design. The latches remain within the connector outline to reduce the requirements for board space, are unlocked by applying inward pressure and can be operated with only one hand unlike the older designs. This design offers advantages for uses in today's high density electronic equipment.

Way to insert

Open the ejectors of 8822E Series and insert into 8830E/8831E Series until the latches fully engage.

Way to withdrawal

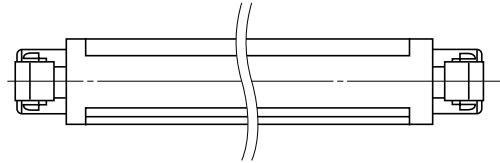
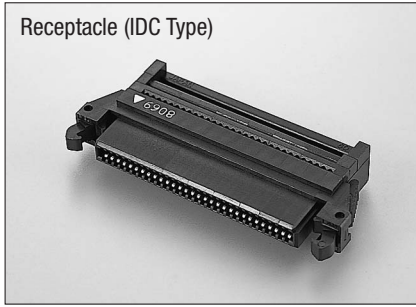
Press on both sides of the 8822E Series ejectors to release the connector from the Plug connector.

(Locked position)

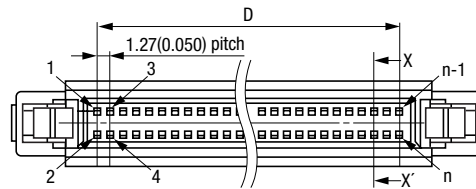
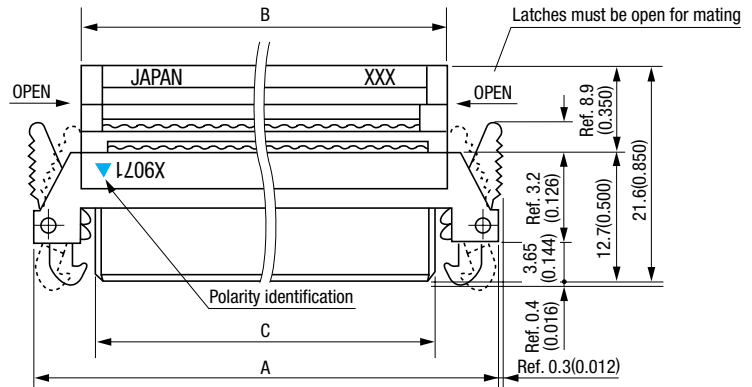
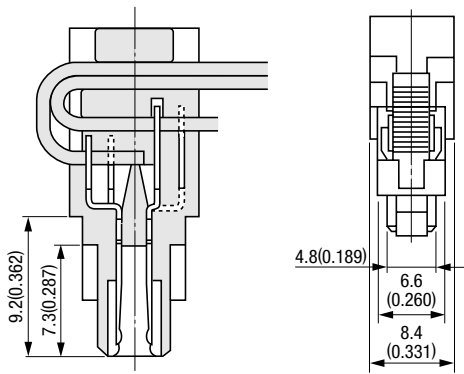
8822E-□□□-171□-F (Receptacle, With locking ejector)

Unit:mm(inch)

Receptacle (IDC Type)



X-X' Cross Section



"n" is number of contacts

Packaging style
Other

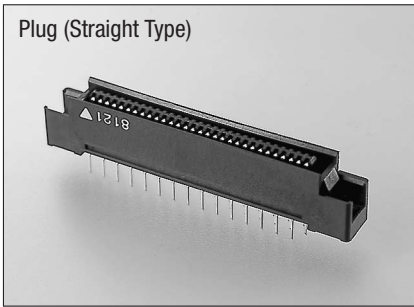
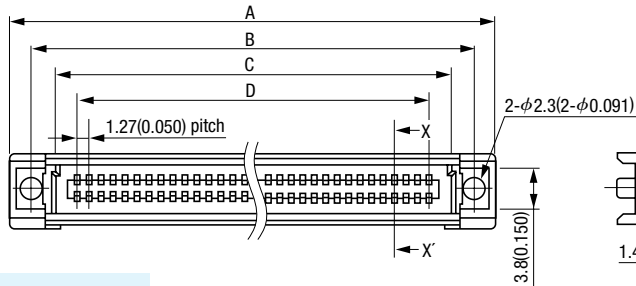
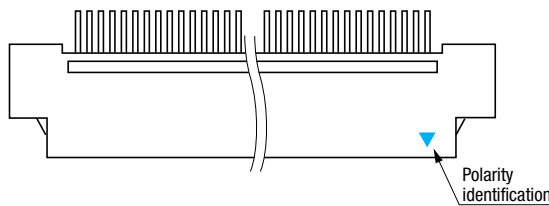
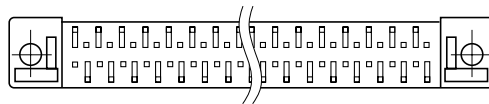
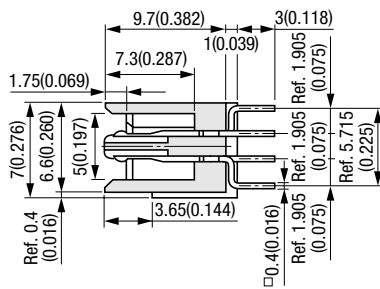
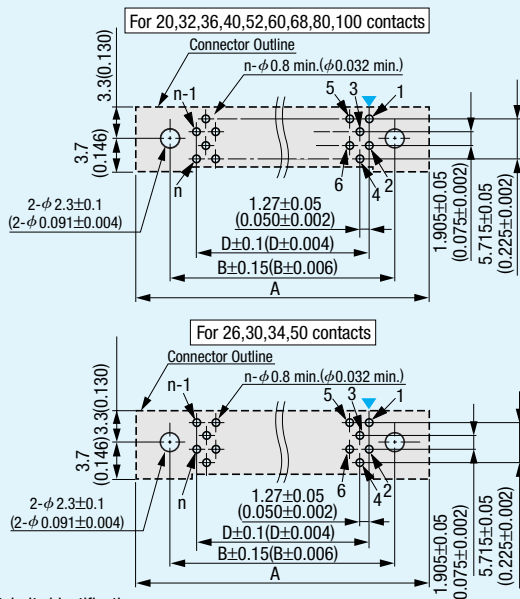
Product Table / Dimensions

No. of contacts	Part Number	A	B	C	D	Number of packaging
20	8822E-020-171□-F	27.83 (1.096)	17.83 (0.702)	15.43 (0.607)	11.43 (0.450)	80
26	8822E-026-171□-F	31.64 (1.246)	21.64 (0.852)	19.24 (0.757)	15.24 (0.600)	80
30	8822E-030-171□-F	34.18 (1.346)	24.18 (0.952)	21.78 (0.857)	17.78 (0.700)	80
32	8822E-032-171□-F	35.45 (1.396)	25.45 (1.002)	23.05 (0.907)	19.05 (0.750)	80
34	8822E-034-171□-F	36.72 (1.446)	26.72 (1.052)	24.32 (0.957)	20.32 (0.800)	80
36	8822E-036-171□-F	37.99 (1.496)	27.99 (1.102)	25.59 (1.007)	21.59 (0.850)	60
40	8822E-040-171□-F	40.53 (1.596)	30.53 (1.202)	28.13 (1.107)	24.13 (0.950)	60
50	8822E-050-171□-F	46.88 (1.846)	36.88 (1.452)	34.48 (1.357)	30.48 (1.200)	50
52	8822E-052-171□-F	48.15 (1.896)	38.15 (1.502)	35.75 (1.407)	31.75 (1.250)	50
60	8822E-060-171□-F	53.23 (2.096)	43.23 (1.702)	40.83 (1.607)	36.83 (1.450)	50
68	8822E-068-171□-F	58.31 (2.296)	48.31 (1.902)	45.91 (1.807)	41.91 (1.650)	50
80	8822E-080-171□-F	65.93 (2.596)	55.93 (2.202)	53.53 (2.107)	49.53 (1.950)	50
100	8822E-100-171□-F	78.63 (3.096)	68.63 (2.702)	66.23 (2.607)	62.23 (2.450)	50

8830E-□□□-170S□-F (Plug, With locking ejector)

Unit:mm(inch)

Plug (Straight Type)


X-X' Cross Section

Printed Circuit Board Layout (Component Side View)


▼=Polarity identification
 Recommended PCB Thickness t=1.6±0.19(0.063±0.007)
 "n" is number of contacts.

Packaging style
Pipe

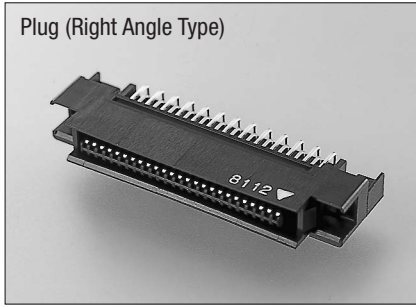
Product Table / Dimensions

No. of contacts	Part Number	A	B	C	D	Number of packaging
20	8830E-020-170S□-F	27.83 (1.096)	22.86 (0.900)	15.83 (0.623)	11.43 (0.450)	18
26	8830E-026-170S□-F	31.64 (1.246)	26.67 (1.050)	19.64 (0.773)	15.24 (0.600)	16
30	8830E-030-170S□-F	34.18 (1.346)	29.21 (1.150)	22.18 (0.873)	17.78 (0.700)	14
32	8830E-032-170S□-F	35.45 (1.396)	30.48 (1.200)	23.45 (0.923)	19.05 (0.750)	14
34	8830E-034-170S□-F	36.72 (1.446)	31.75 (1.250)	24.72 (0.973)	20.32 (0.800)	13
36	8830E-036-170S□-F	37.99 (1.496)	33.02 (1.300)	25.99 (1.023)	21.59 (0.850)	13
40	8830E-040-170S□-F	40.53 (1.596)	35.56 (1.400)	28.53 (1.123)	24.13 (0.950)	12
50	8830E-050-170S□-F	46.88 (1.846)	41.91 (1.650)	34.88 (1.373)	30.48 (1.200)	10
52	8830E-052-170S□-F	48.15 (1.896)	43.18 (1.700)	36.15 (1.423)	31.75 (1.250)	10
60	8830E-060-170S□-F	53.23 (2.096)	48.26 (1.900)	41.23 (1.623)	36.83 (1.450)	9
68	8830E-068-170S□-F	58.31 (2.296)	53.34 (2.100)	46.31 (1.823)	41.91 (1.650)	8
80	8830E-080-170S□-F	65.93 (2.596)	60.96 (2.400)	53.93 (2.123)	49.53 (1.950)	7
100	8830E-100-170S□-F	78.63 (3.096)	73.66 (2.900)	66.63 (2.623)	62.23 (2.450)	6

8830E/8831E-□□□□-170L□-F (Plug, With locking system)

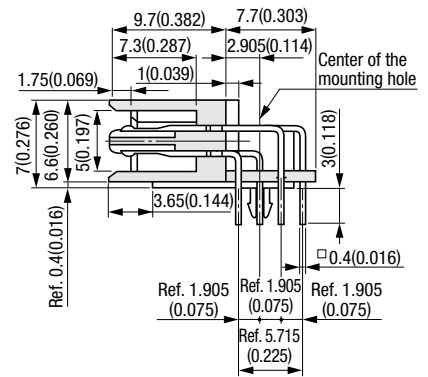
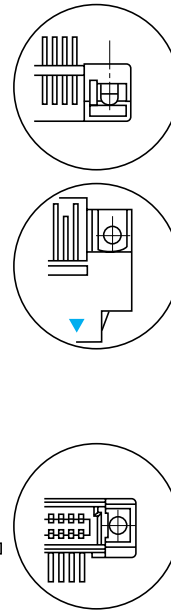
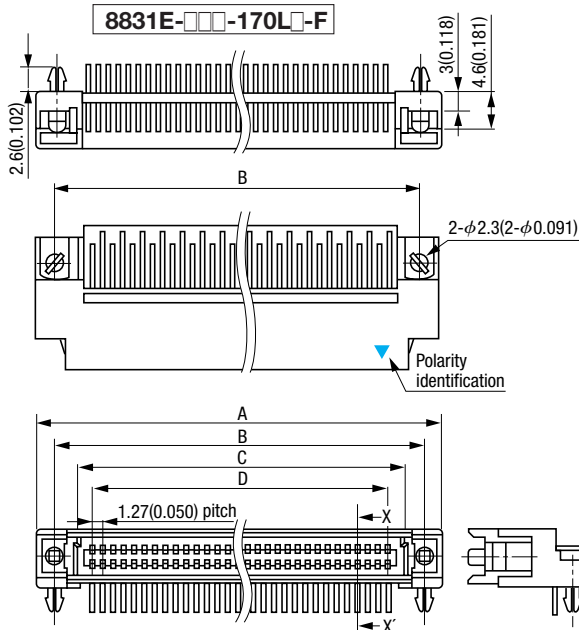
Unit:mm(inch)

Plug (Right Angle Type)

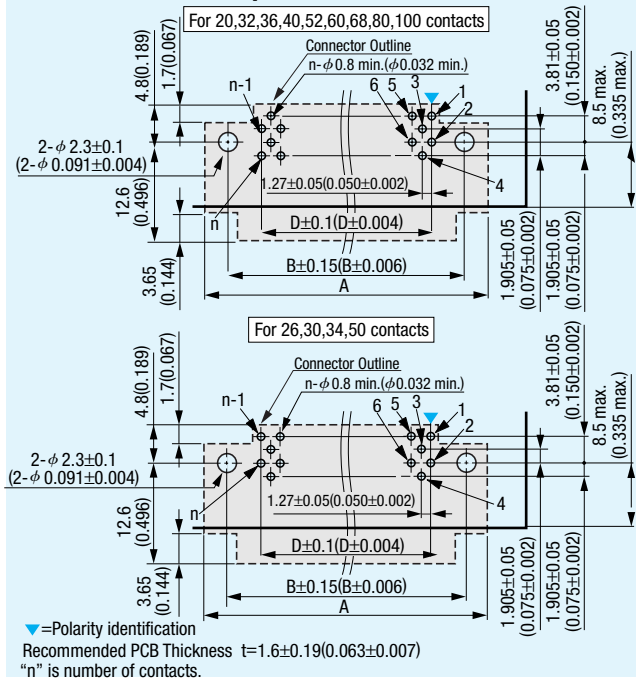


8830E-□□□□-170L□-F

X-X' Cross Section



Printed Circuit Board Layout (Component Side View)



Packaging style
Pipe

Product Table / Dimensions

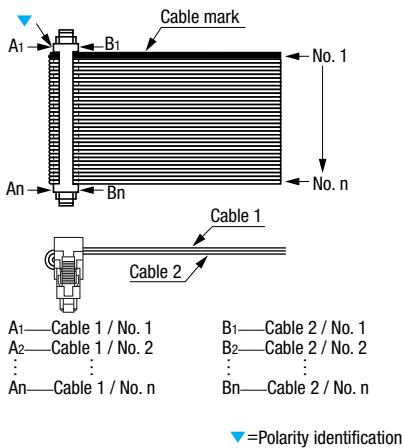
No. of contacts	Part Number	A	B	C	D	Number of packaging
20	8830E-020-170L□-F	27.83 (1.096)	22.86 (0.900)	15.83 (0.623)	11.43 (0.450)	18
	8831E-020-170L□-F					
26	8830E-026-170L□-F	31.64 (1.246)	26.67 (1.050)	19.64 (0.773)	15.24 (0.600)	16
	8831E-026-170L□-F					
30	8830E-030-170L□-F	34.18 (1.346)	29.21 (1.150)	22.18 (0.873)	17.78 (0.700)	14
	8831E-030-170L□-F					
32	8830E-032-170L□-F	35.45 (1.396)	30.48 (1.200)	23.45 (0.923)	19.05 (0.750)	14
	8831E-032-170L□-F					
34	8830E-034-170L□-F	36.72 (1.446)	31.75 (1.250)	24.72 (0.973)	20.32 (0.800)	13
	8831E-034-170L□-F					
36	8830E-036-170L□-F	37.99 (1.496)	33.02 (1.300)	25.99 (1.023)	21.59 (0.850)	13
	8831E-036-170L□-F					
40	8830E-040-170L□-F	40.53 (1.596)	35.56 (1.400)	28.53 (1.123)	24.13 (0.950)	12
	8831E-040-170L□-F					
50	8830E-050-170L□-F	46.88 (1.846)	41.91 (1.650)	34.88 (1.373)	30.48 (1.200)	10
	8831E-050-170L□-F					
52	8830E-052-170L□-F	48.15 (1.896)	43.18 (1.700)	36.15 (1.423)	31.75 (1.250)	10
	8831E-052-170L□-F					
60	8830E-060-170L□-F	53.23 (2.096)	48.26 (1.900)	41.23 (1.623)	36.83 (1.450)	9
	8831E-060-170L□-F					
68	8830E-068-170L□-F	58.31 (2.296)	53.34 (2.100)	46.31 (1.823)	41.91 (1.650)	8
	8831E-068-170L□-F					
80	8830E-080-170L□-F	65.93 (2.596)	60.96 (2.400)	53.93 (2.123)	49.53 (1.950)	7
	8831E-080-170L□-F					
100	8830E-100-170L□-F	78.63 (3.096)	73.66 (2.900)	66.63 (2.623)	62.23 (2.450)	6
	8831E-100-170L□-F					

ORDER CODE

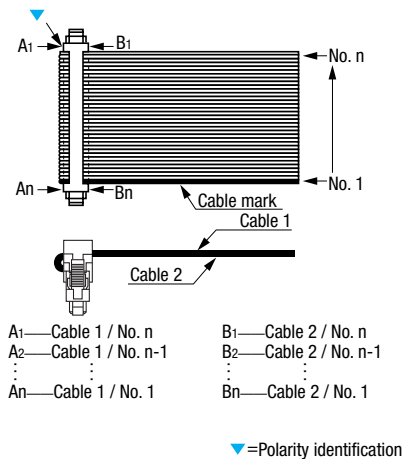
8822E- -171 F- - (C)

- No. of contacts
 - 020 : 20 pin
 - 026 : 26 pin
 - 030 : 30 pin
 - 032 : 32 pin
 - 034 : 34 pin
 - 036 : 36 pin
 - 040 : 40 pin
 - 050 : 50 pin
 - 052 : 52 pin
 - 060 : 60 pin
 - 068 : 68 pin
 - 080 : 80 pin
 - 100 : 100 pin
- Contact name
 - 171
- Plating of contact area
 - Om1 : Au 0.05 μ m (Standard)
 - D : Au 0.25 μ m (Upon request)
- Series name
 - 8822E : One-touch locking ejector system
- Wiring code (AA, AC, BB, BD, AO, CO)
 - Cable type
 - Om1 : Flat cable
 - * S : Intermittent bonded cable
 - * T : Twist&Flat cable
 - Cable length (cm)
 - L dimension (3cm min.)
 - (Example: 008=8cm)
 - F : RoHS Compliance
- BB-wired products
 - Om1 : Twist type
 - C : Through type

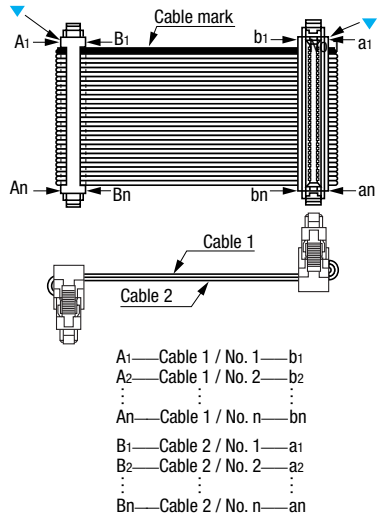
8822E- -171 F- -A0



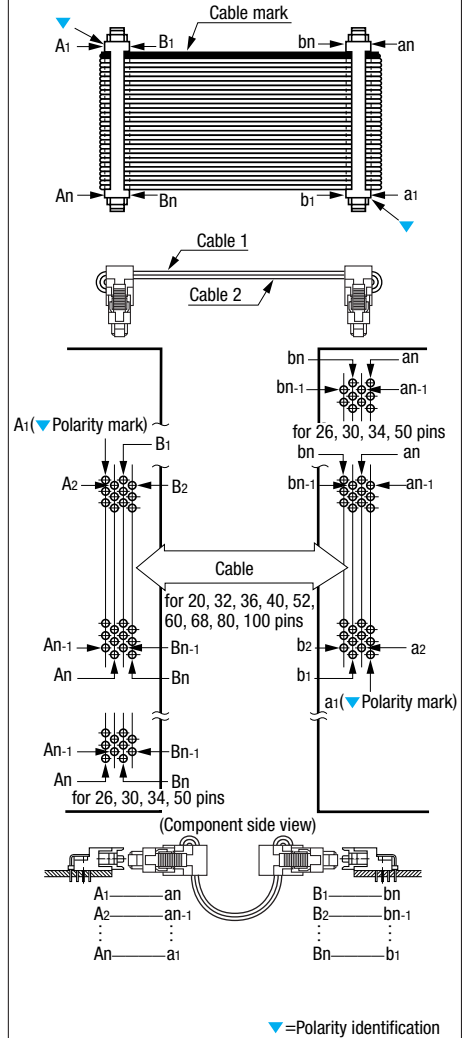
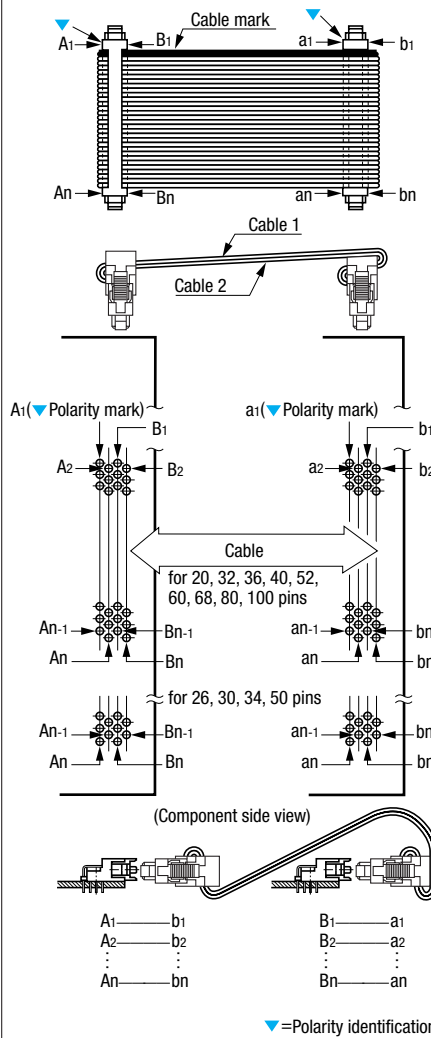
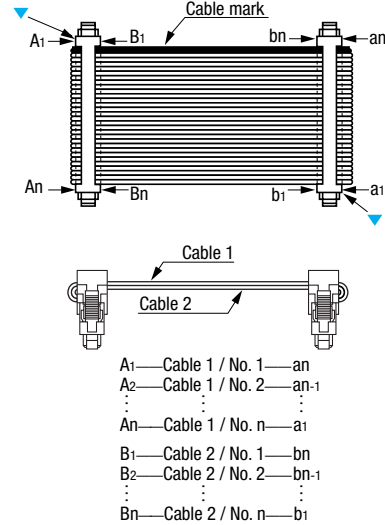
8822E- -171 F- -C0



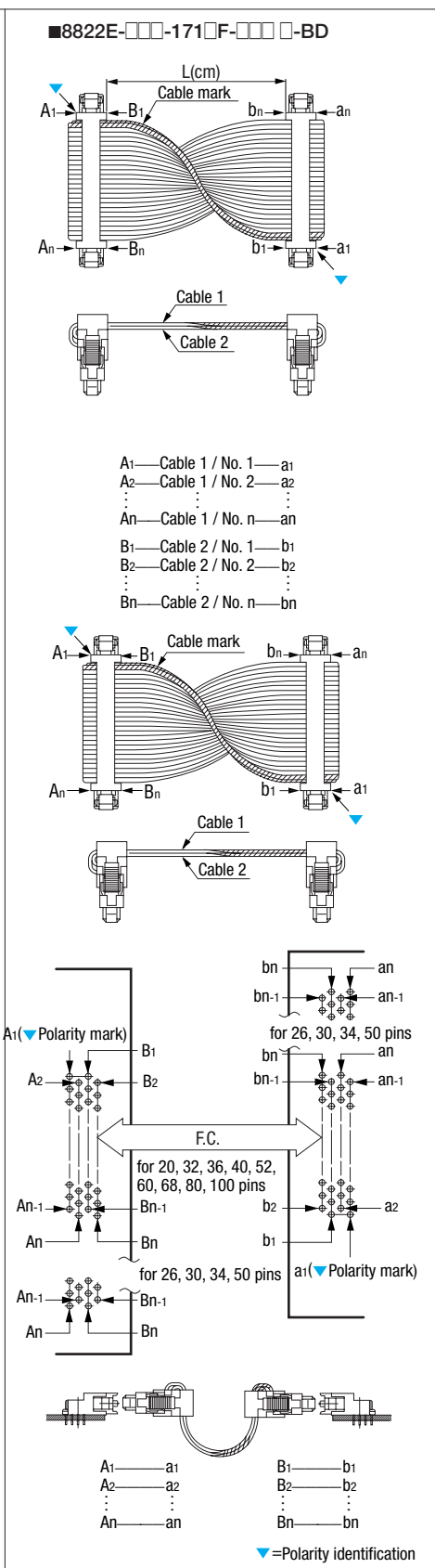
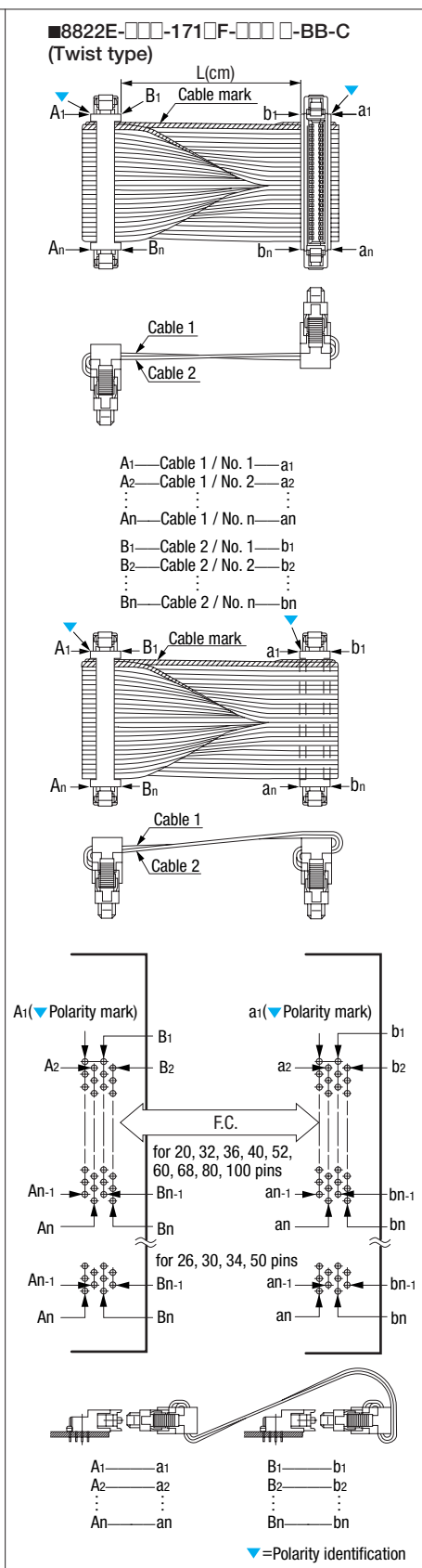
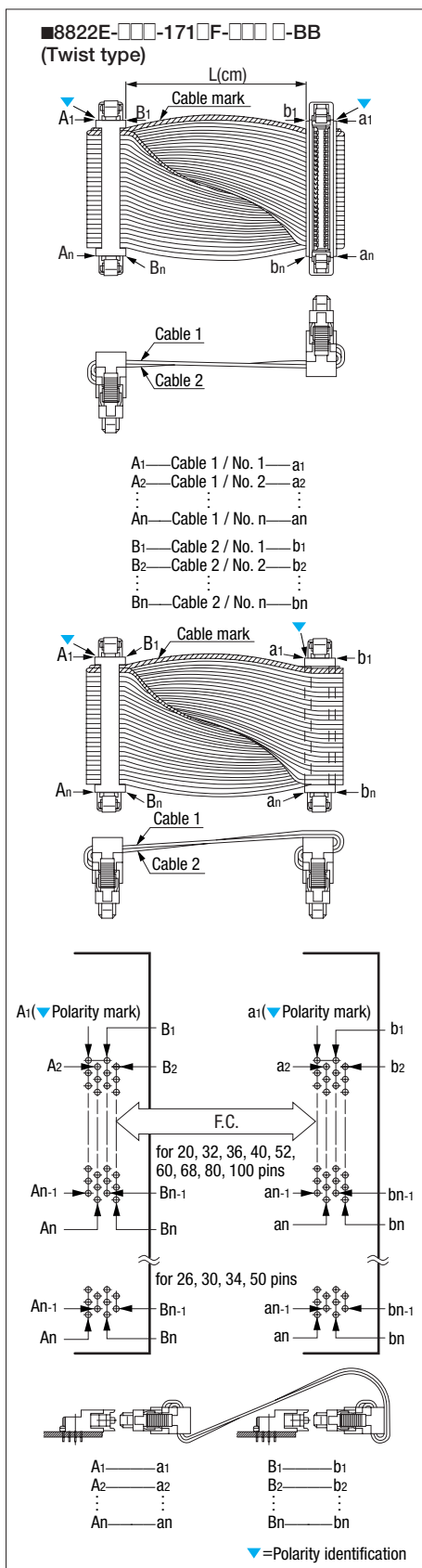
8822E- -171 F- -AA



8822E- -171 F- -AC



- * Intermittent bonded and Twist&Flat cable have a restriction on cable length (L dimension) because they are terminated at the fused part.
- * For AO and CO codes, orders are accepted in even quantities.
- * Harness end has an extra cable of approximate 1mm beyond the connector edge.



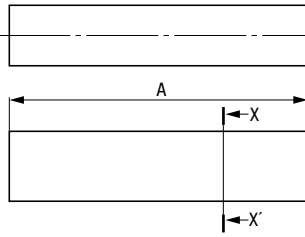
* Intermittent bonded and Twist&Flat cable have a restriction on cable length (L dimension) because they are terminated at the fused part.
* For AO and CO codes, orders are accepted in even quantities.
* Harness end has an extra cable of approximate 1mm beyond the connector edge.

8800 Series Dust Cover

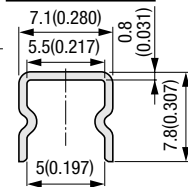
Unit:mm(inch)

8800-□□□DSC-R1 (For Receptacle)

Material : PVC
 Color : Semi-transparent

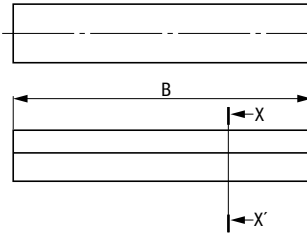


X-X' Cross Section

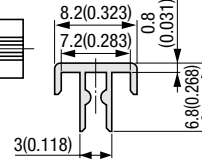


8810-□□□DSC-H1 (For Plug)

Material : PVC
 Color : Semi-transparent



X-X' Cross Section



■Dimensions

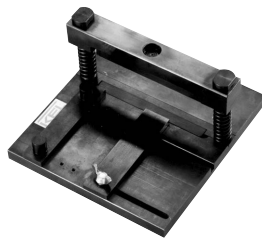
No. of contacts	A	B
20	17.4(0.685)	14.03(0.552)
26	21.2(0.835)	17.84(0.702)
30	23.8(0.937)	20.38(0.802)
32	25.0(0.984)	21.65(0.852)
34	26.3(1.035)	22.92(0.902)
40	30.1(1.185)	26.73(1.052)
50	36.5(1.437)	33.08(1.302)
52	37.7(1.484)	34.35(1.352)
60	42.8(1.685)	39.43(1.552)
68	47.9(1.886)	44.51(1.752)
80	55.5(2.185)	52.13(2.052)
100	68.2(2.685)	64.83(2.552)

Termination Equipment

■Hand Press(HP-12)



■Cable Trimmer(CT-15)



■Locating Fixture(LF-21)



■Seating Platen



*LF-21 accessory

Specifications and dimensions are subject to change without notice.