

25mil (0.635mm) Pitch 2 Piece Connector

8600 SERIES





FEATURES

- 0.635mm pitch Board to Board connector
- Reliable connection with 2mm effective contact displacement assures stable contact.
- 2 mating variations (stacked and vertical)
- SMT solder joint
- Coplanarity 0.1mm
- RoHS compliance

[Application Note]

Slant insertion and withdrawal will be caused connector damage.

SPECIFICATIONS

- Insulator : Glass-filled LCP (UL94V-0), Black
- Contact material : Copper alloy
- Contact plating : Gold over Nickel
- Retention clip material : Copper alloy
- Retention clip plating : Gold over Nickel
- Current rating : 0.5A per contact
- Contact resistance : 50mΩ max.
- Dielectric withstanding voltage : 200V AC for 1 minute
- Insulator resistance : 100MΩ min. at 250V DC
- Operating temperature : -40°C to +85°C

ORDER CODE

8601-□□□L

- Series name
8601 : Receptacle
- No. of contact
052 : 52 pin 140 : 140 pin
120 : 120 pin 160 : 160 pin
- Contact tail style
L : Right angle, SMT

8601-□□□FS-I-□

- Series name
8601 : Receptacle
- No. of contact
060 : 60 pin 140 : 140 pin
- Contact tail style
FS : Straight, SMT
Flexible stacking
- Stacked height
I : 16mm
- P : With Pick&Place cap
Omit : Without Pick&Place cap

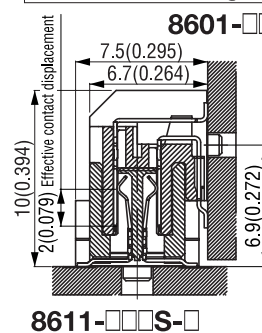
8611-□□□S-□

- Series name
8611 : Plug
- No. of contact
052 : 52 pin 140 : 140 pin
060 : 60 pin 160 : 160 pin
- Contact tail style
S : Straight, SMT
- P : With Pick&Place cap
Omit : Without Pick&Place cap

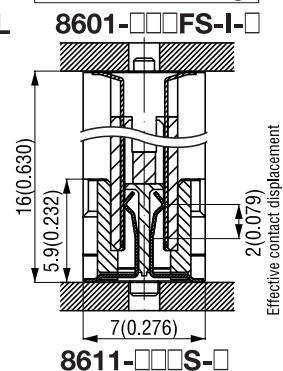
Mating Combinations

Unit:mm(inch)

Vertical Mating

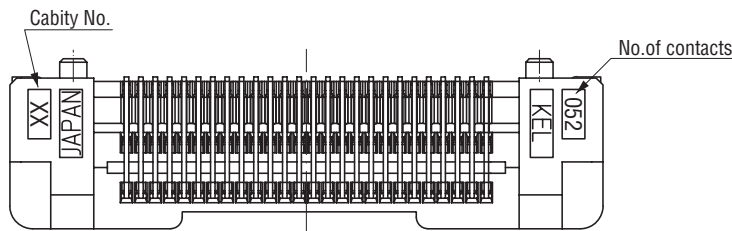
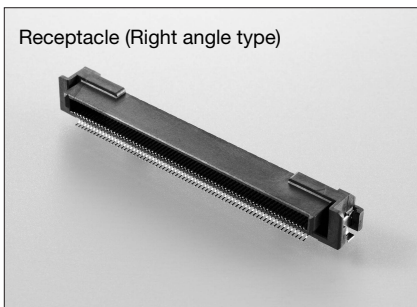


Stacked Mating

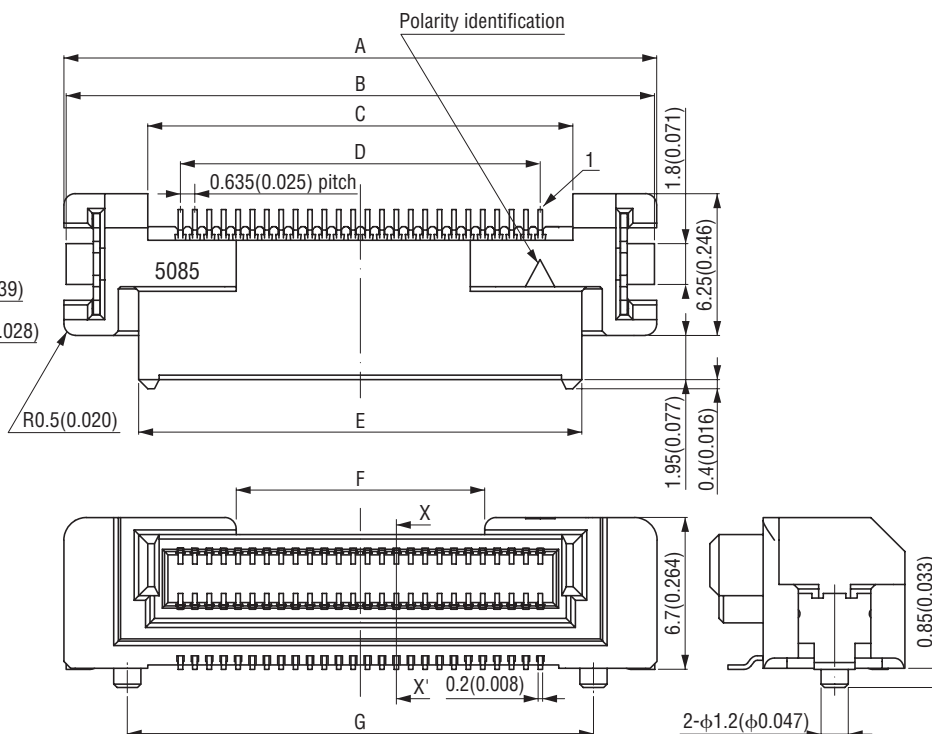
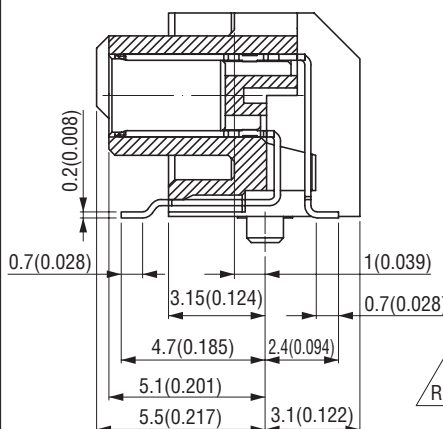


8601-□□□L (Receptacle)

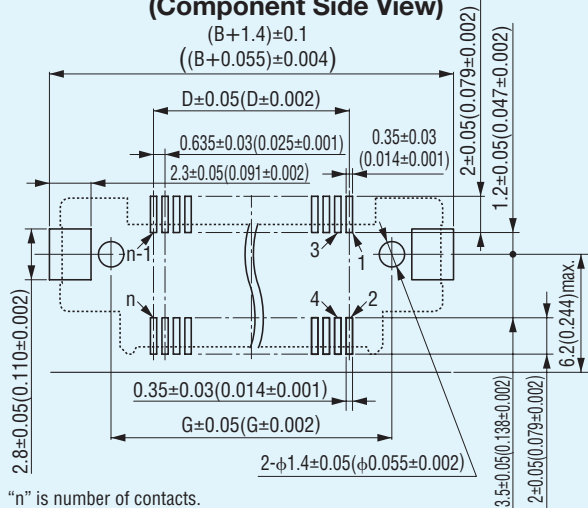
Unit:mm(inch)



X-X' Cross Section



Printed Circuit Board Layout (Component Side View)



"n" is number of contacts.

Packaging style
Tray

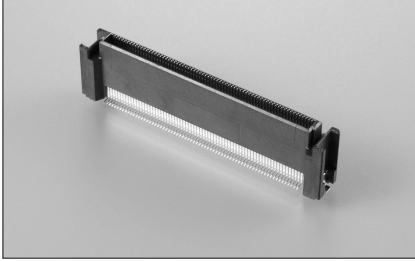
Product Table / Dimensions

No. of contacts	Part Number	A	B	C	D	E	F	G	Number of packaging
52	8601-052L	26.16 (1.030)	25.96 (1.022)	18.76 (0.739)	15.875 (0.625)	19.56 (0.770)	10.96 (0.431)	20.56 (0.809)	60
120	8601-120L	47.75 (1.880)	47.55 (1.872)	40.35 (1.589)	37.465 (1.475)	41.15 (1.620)	26.15 (1.030)	42.15 (1.659)	30
140	8601-140L	54.10 (2.130)	53.90 (2.122)	46.70 (1.839)	43.815 (1.725)	47.50 (1.870)	32.50 (1.280)	48.50 (1.909)	30
160	8601-160L	60.45 (2.380)	60.25 (2.372)	53.05 (2.089)	50.165 (1.975)	53.85 (2.120)	38.85 (1.530)	54.85 (2.159)	30

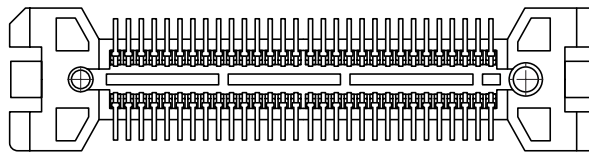
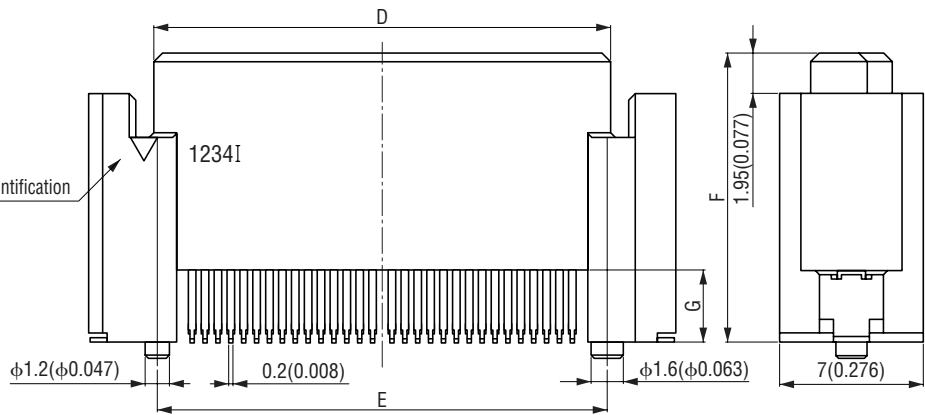
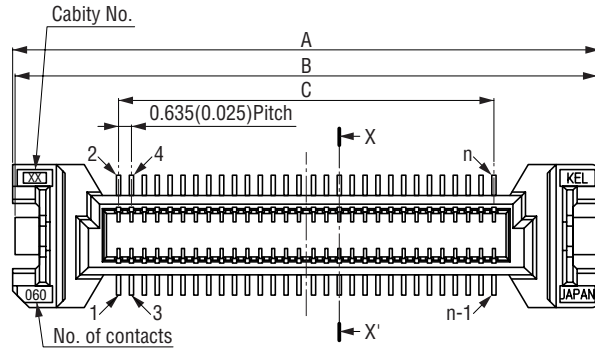
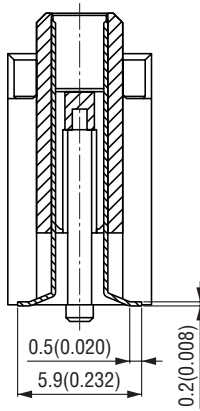
8601-□□□FS-I-□ (Receptacle)

Unit:mm(inch)

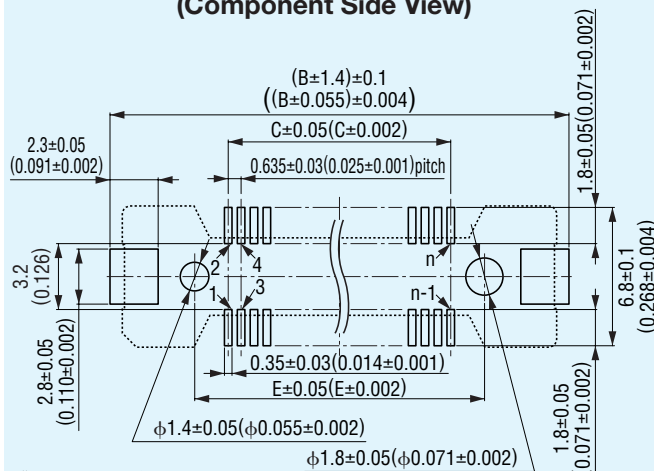
Receptacle(Flexible straight type)



X-X' Cross Section



Printed Circuit Board Layout (Component Side View)



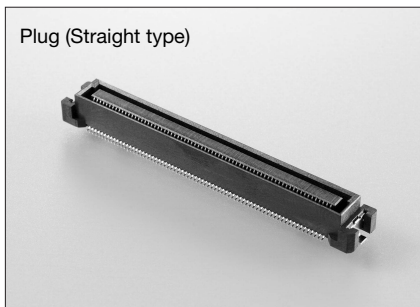
"n" is number of contacts.

Packaging style
Tray

Product Table / Dimensions

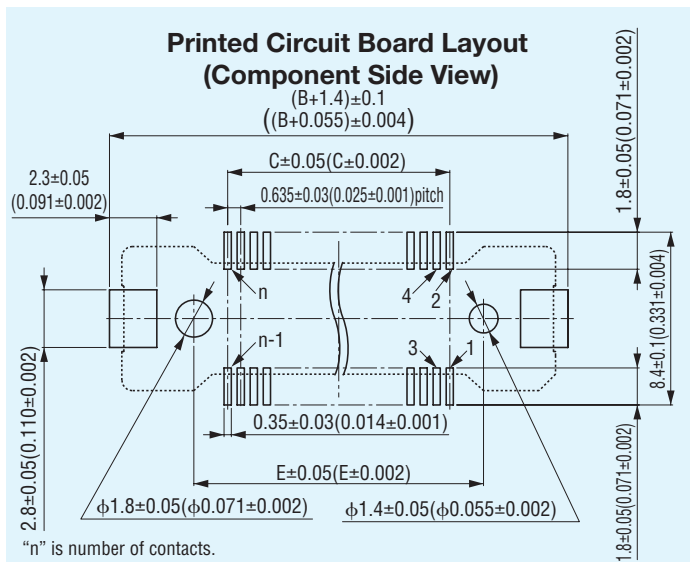
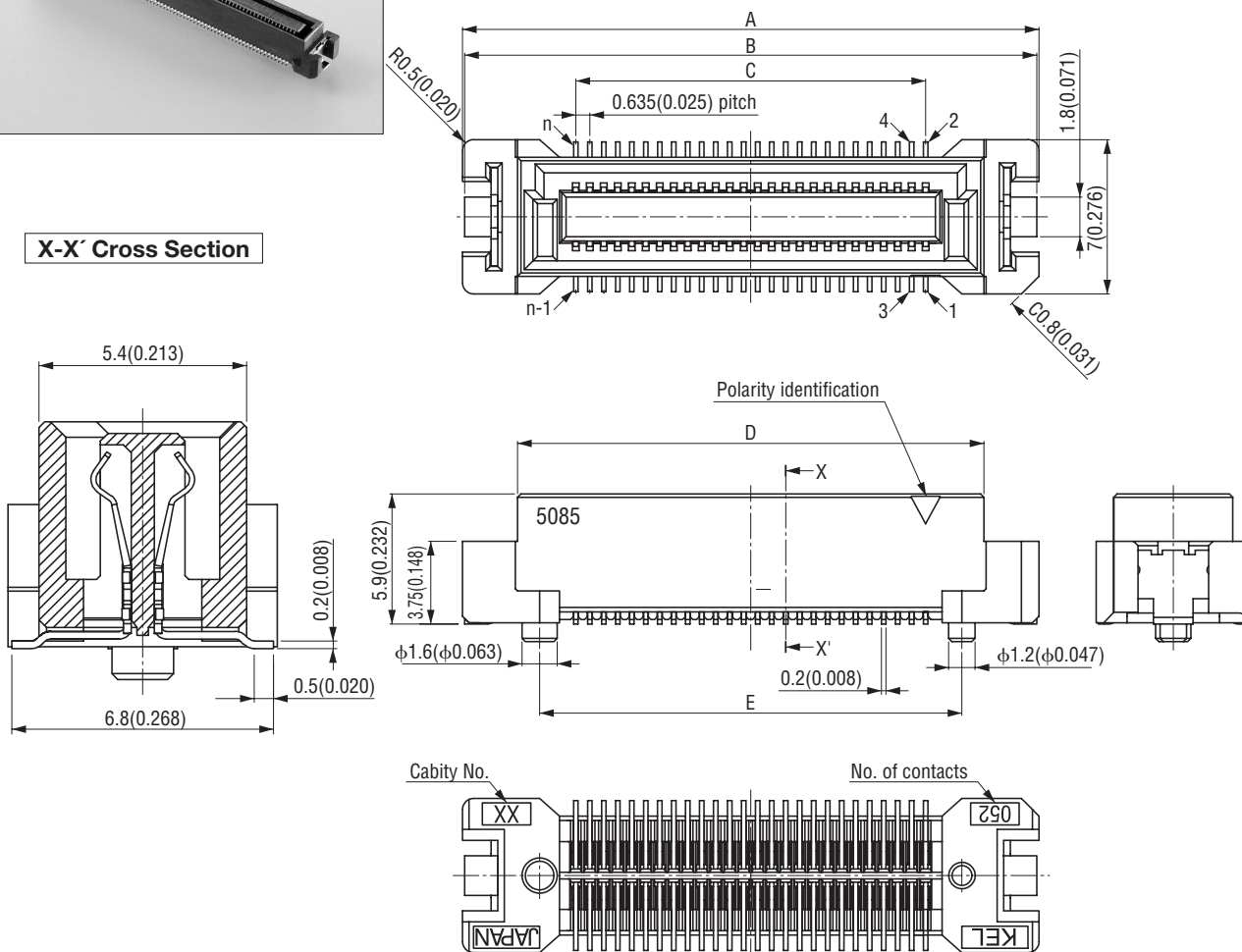
No. of contacts	Part Number	A	B	C	D	E	F	G	Number of packaging
60	8601-060FS-I-□	28.70 (1.130)	28.50 (1.122)	18.415 (0.725)	22.10 (0.870)	21.70 (0.854)	14.20 (0.559)	3.55 (0.140)	50
140	8601-140FS-I-□	54.10 (2.130)	53.90 (2.122)	43.815 (1.725)	47.50 (1.870)	47.10 (1.854)	14.20 (0.559)	3.55 (0.140)	30

8611-□□□S-□ (Plug)



Unit:mm(inch)

X-X' Cross Section



Packaging style
Tray

Product Table / Dimensions

No. of contacts	Part Number	A	B	C	D	E	Number of packaging
52	8611-052S-□	26.16 (1.030)	25.96 (1.022)	15.875 (0.625)	21.16 (0.833)	19.16 (0.754)	60
60	8611-060S-□	28.70 (1.130)	28.50 (1.122)	18.415 (0.725)	23.70 (0.933)	21.70 (0.854)	50
120	8611-120S-□	47.75 (1.880)	47.55 (1.872)	37.465 (1.475)	42.75 (1.683)	40.75 (1.604)	30
140	8611-140S-□	54.10 (2.130)	53.90 (2.122)	43.815 (1.725)	49.10 (1.933)	47.10 (1.854)	30
160	8611-160S-□	60.45 (2.380)	60.25 (2.372)	50.165 (1.975)	55.45 (2.183)	53.45 (2.104)	30