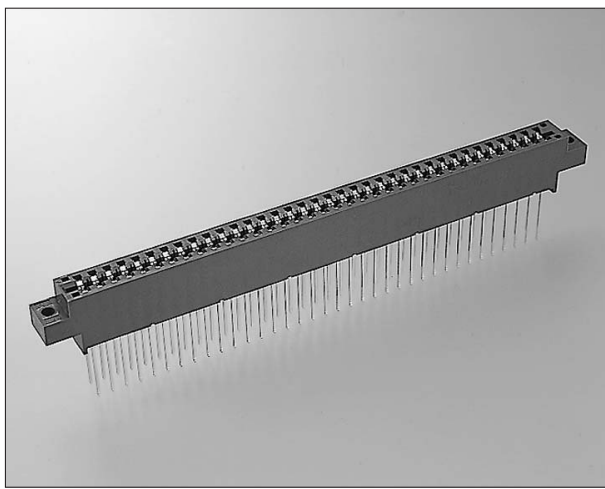
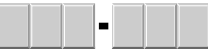


Unit:mm(inch)

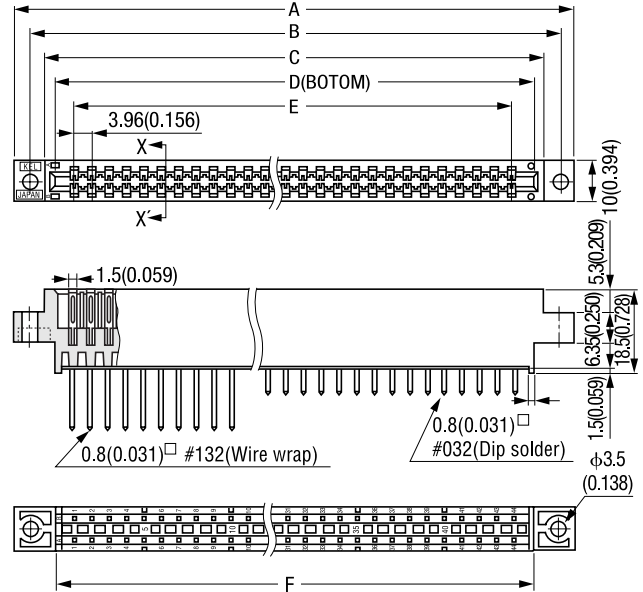


ORDER CODE

1258N-

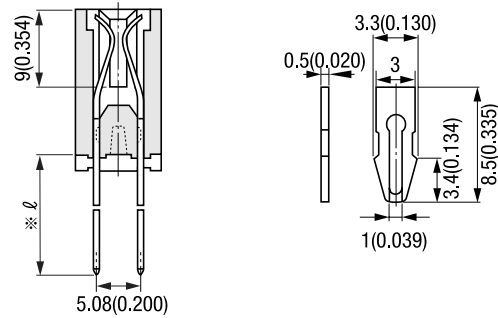


- Terminal Style
032 : Dip solder
132 : Wire wrap
- No. of contacts
044 : 44pin
056 : 56pin
060 : 60pin
072 : 72pin
086 : 86pin
088 : 88pin
- Series name



X-X' Cross Section

Positioning Post



※ l : #032.....6.5(0.256)
#132.....18.5(0.728)

FEATURES

- 3.96mm contact centers
- Dual Leads
- Canti-lever contact
- Accepts 1.6mm thick board
- RoHS compliance

SPECIFICATIONS

- Current Rating : 3A
- Contact Resistance : 10mΩ max.
- Dielectric Withstanding Voltage : 1600V AC for 1minute
- Insulation Resistance : 5,000MΩ min. at 500V DC
- Insertion Force : 500g max./pair
- Withdrawal Force : 28g min./pair

MATERIAL

- Insulator : Glass-Filled P.B.T.(UL94V-0)
- Contact : Copper Alloy, Gold plating over Nickel

Packaging style
Other

Product Table / Dimensions

No. of contacts	Part Number	A	B	C	D	E	F	Number of packaging
44	1258N-044-032	108.66	102.31	94.57	91.34	83.16	89.72	90
	1258N-044-132	(4.278)	(4.028)	(3.723)	(3.596)	(3.274)	(3.532)	60
56	1258N-056-032	132.48	126.13	118.39	115.16	106.92	113.54	75
	1258N-056-132	(5.216)	(4.966)	(4.661)	(4.534)	(4.209)	(4.470)	50
60	1258N-060-032	140.20	133.80	127.00	123.05	114.84	127.00	75
	1258N-060-132	(5.520)	(5.268)	(5.000)	(4.844)	(4.521)	(5.000)	50
72	1258N-072-032	164.24	157.89	150.15	146.92	138.60	145.30	45
	1258N-072-132	(6.466)	(6.216)	(5.911)	(5.784)	(5.457)	(5.720)	30
86	1258N-086-032	191.90	185.50	177.81	174.50	166.32	172.96	45
	1258N-086-132	(7.555)	(7.303)	(7.000)	(6.870)	(6.548)	(6.809)	30
88	1258N-088-032	196.00	189.65	181.91	178.68	170.28	177.06	45
	1258N-088-132	(7.717)	(7.467)	(7.162)	(7.035)	(6.704)	(6.971)	30